

## Parts Catalog



**PHOENIX 30ECO Walk Behind Scrubber**

(Model: PHX30ECO)

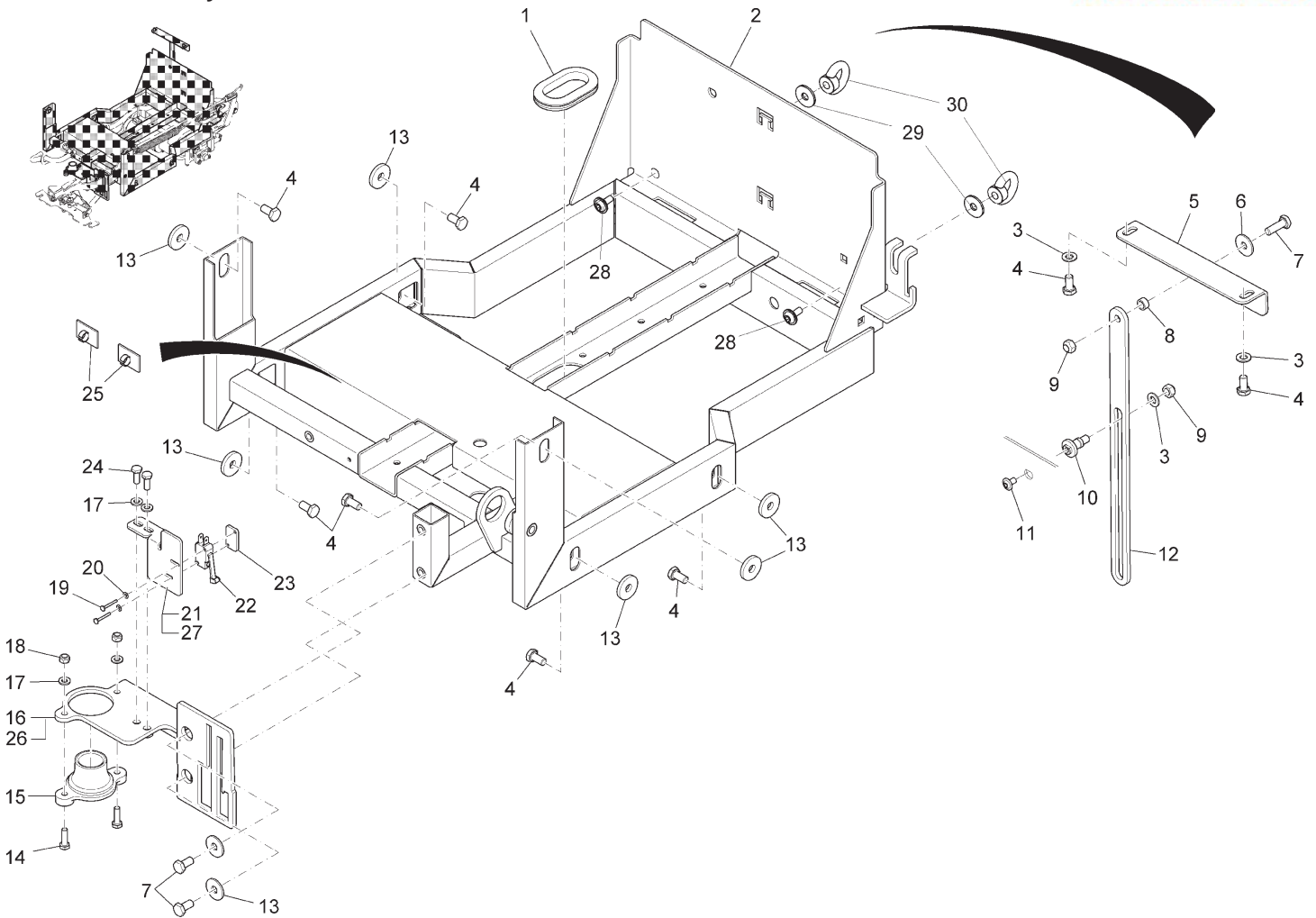
**For Safety When Servicing or Maintaining Machine**

- Stop on level surface.
- Disconnect the power to the machine by pulling the red Battery Connector located under the recovery tank near the batteries.
- Avoid moving parts. Do not wear loose jackets, shirts, or sleeves when working on machine.
- Avoid contact with battery acid. Battery acid can cause burns. When working on or around batteries, wear protective clothing and safety glasses. Remove metal jewelry. Do not lay tools or metal objects on top of batteries.
- Do not clean machine with a pressure washer.
- Authorized personnel must perform repairs and maintenance. Use Minuteman supplied replacement parts.

## Table of Contents

|   |    |
|---|----|
| Chassis Assembly I .....                    | 1  |
| Chassis Assembly II .....                   | 2  |
| Chassis Assembly III .....                  | 5  |
| Chassis Assembly III .....                  | 6  |
| Water Feed System Subassembly .....         | 6  |
| Chassis Assembly III .....                  | 7  |
| Lift Pedal Subassembly .....                | 7  |
| Chassis Assembly III .....                  | 7  |
| Brush Pressure Adjustment Subassembly ..... | 7  |
| Squeegee Connection Subassembly I .....     | 8  |
| Chassis Assembly III .....                  | 8  |
| Chassis Assembly III .....                  | 9  |
| Squeegee Connection Subassembly II .....    | 9  |
| Battery Tray Assembly .....                 | 10 |
| Solution Tank Assembly .....                | 11 |
| Recovery Tank Assembly .....                | 12 |
| Vacuum Motor Assembly .....                 | 13 |
| Squeegee Lift Handle Assembly .....         | 14 |
| Squeegee Assembly I .....                   | 15 |
| Squeegee Assembly II .....                  | 16 |
| Control Panel Assembly .....                | 17 |
| Control Panel Assembly .....                | 18 |
| Console Subassembly .....                   | 18 |
| Electrical Assembly I .....                 | 19 |
| Retainer Subassembly .....                  | 20 |
| Electrical Assembly II .....                | 21 |
| Battery Charger Assembly .....              | 22 |
| Solution Control Assembly .....             | 23 |
| Machine Labels .....                        | 24 |
| Disc Scrub Deck Assembly I .....            | 25 |
| Disc Scrub Deck Assembly II .....           | 26 |
| Disc Scrub Deck Assembly III .....          | 27 |
| PowerBoss® Warranty .....                   | 28 |

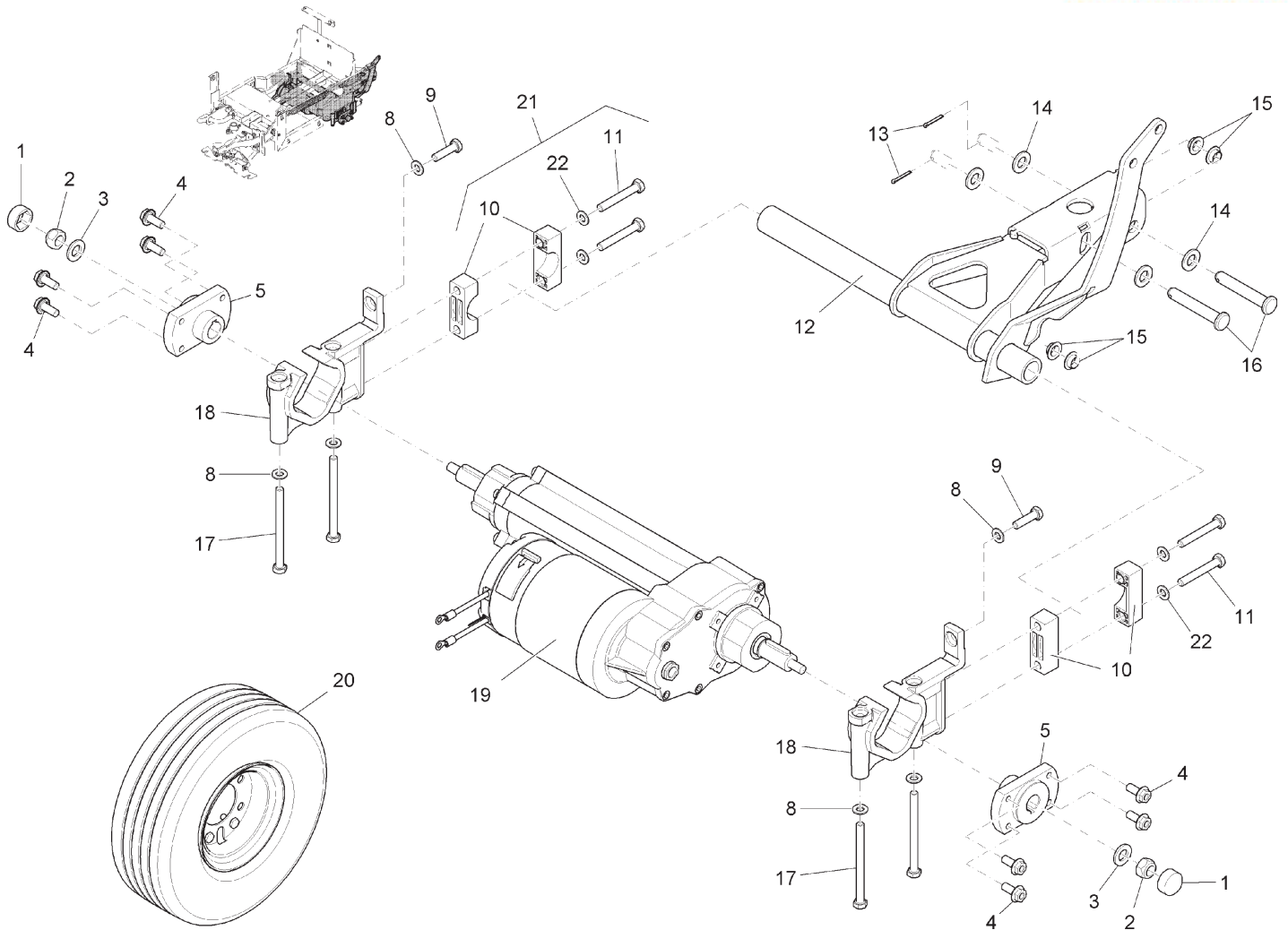
**Chassis Assembly I**



**Bill of Material - 97098859-1 (99706111BT10)**

| Item | Spare part number | Mat. No. | Qty. | Description       | Notes                    |
|------|-------------------|----------|------|-------------------|--------------------------|
| 1    | 01078440          | 90513367 | 1    | Grommet           |                          |
| 2    | 03007640          | 96116405 | 1    | Chassis           |                          |
| 3    | 00053750          | 12310041 | 7    | Washer            |                          |
| 4    | 00053080          | 11038197 | 14   | Hexagon screw     |                          |
| 5    | 01077760          | 90503160 | 1    | Retainer          |                          |
| 6    | 00042900          | 12332029 | 3    | Washer            |                          |
| 7    | 00053100          | 11038247 | 3    | Hexagon screw     |                          |
| 8    | 01077700          | 90473158 | 1    | Bushing           |                          |
| 9    | 00051510          | 12040051 | 2    | Hexagon nut       |                          |
| 10   | 01077820          | 90513243 | 1    | Bushing           |                          |
| 11   | 01072520          | 11177179 | 1    | Lens flange screw |                          |
| 12   | 01077740          | 90495268 | 1    | Sheet metal       |                          |
| 13   | 00047990          | 12515086 | 10   | Disk wheel        |                          |
| 14   | 00053020          | 11038098 | 2    | Hexagon screw     |                          |
| 15   | 01077780          | 90508391 | 1    | Bushing           |                          |
| 16   | 01078460          | 96114327 | 1    | Sheet metal       | until approx.. June 2007 |
| 17   | 00053730          | 12310033 | 4    | Washer            |                          |
| 18   | 00051520          | 12040044 | 2    | Hexagon nut       |                          |
| 19   | 00022180          | 11039088 | 2    | Hex.bolt          |                          |
| 20   | 00553740          | 12310132 | 2    | Washer            |                          |
| 21   | 01078470          | 90513359 | 1    | Retainer          | until approx. June 2007  |
| 22   | 00975510          | 90306002 | 1    | Micro switch      |                          |
| 23   | 01074840          | 90471483 | 1    | Thread base plate |                          |
| 24   | 00053010          | 11038072 | 2    | Hex.bolt          |                          |
| 25   | 01143190          | 17526070 | 2    | Cable clip        |                          |
| 26   | 01079680          | 96117387 | 1    | Sheet metal       | from approx. July 2007   |
| 27   | 01170010          | 90528787 | 1    | Retainer          | from approx. July 2007   |
| 28   | 01006820          | 11177128 | 2    | Lens flange screw |                          |
| 29   | 00042900          | 12332029 | 2    | Washer            |                          |
| 30   | 01078450          | 12160024 | 2    | Nut               |                          |

**Chassis Assembly II**



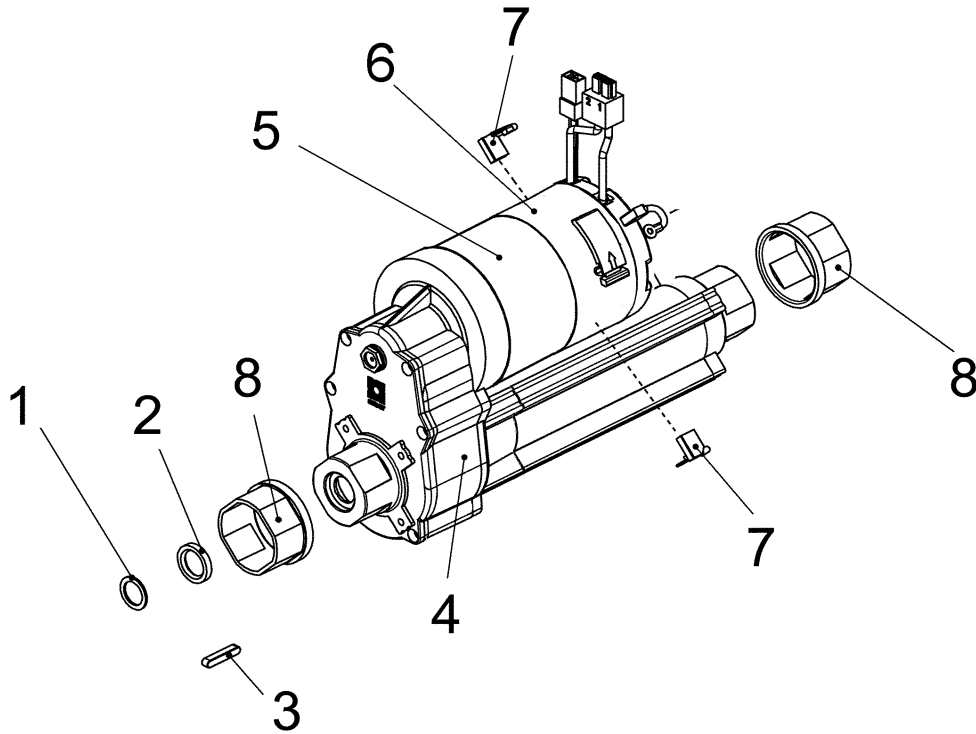
**Bill of Material - 97098859-2 (99706111BT20)**

| Item | Spare part number | Mat. No. | Qty. | Description        |
|------|-------------------|----------|------|--------------------|
| 1    | 01031540          | 15592058 | 2    | Protection cap     |
| 2    | 00051490          | 12040077 | 2    | Hexagon nut        |
| 3    | 00053770          | 12310066 | 2    | Washer             |
| 4    | 00959310          | 11717022 | 8    | Hex.bolt           |
| 5    | 01078010          | 90510116 | 2    | Hub                |
| 8    | 00053750          | 12310041 | 8    | Washer             |
| 9    | 00053110          | 11038254 | 2    | Hexagon screw      |
| 10   | 01078020          | 90481664 | 4    | Block              |
| 11   | 00053260          | 11038296 | 4    | Hex.bolt           |
| 12   | 01078030          | 96111869 | 1    | Lever              |
| 13   | 00553580          | 13280136 | 2    | Cotter pin         |
| 14   | 00053770          | 12310066 | 4    | Washer             |
| 15   | 01077510          | 14895478 | 4    | Slide bearing bush |
| 16   | 01078040          | 13328851 | 2    | Bolt               |
| 17   | 00053140          | 11032273 | 4    | Hex.bolt           |
| 18   | 01078480          | 90512062 | 2    | Bearing AMER       |
| 19   | 01079400          | 90531609 | 1    | Traction drive     |
| 20   | 90523309          |          |      | Wheels             |
| 21   | 00008980          | 97057814 | 1    | Block              |
| 22   | 00042900          | 12332029 | 4    | Washer             |

**Notes**

ITEM HAS SUBASSEMBLIES  
ITEM HAS SUBASSEMBLIES  
incl. Items 10,11,22: Please order kit, it's necessary to exchange all 4 blocks

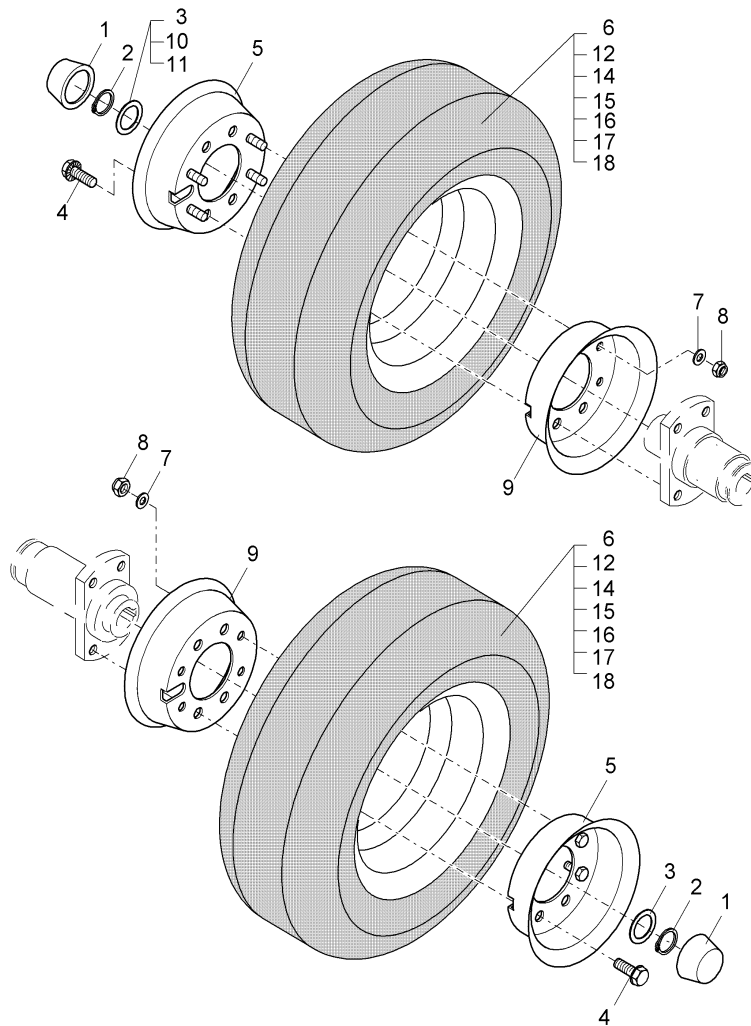
**Chassis Assembly II**  
Traction Drive Motor Subassembly



**Bill of Material - 01079400 (99706111BT21)**

| Item | Spare part number | Mat. No. | Qty. | Description         |
|------|-------------------|----------|------|---------------------|
| 1    | 01077430          | 01077430 | 2    | Washer              |
| 2    | 01077420          | 01077420 | 3    | Gasket              |
| 3    | 01077410          | 01077410 | 2    | Fitting key         |
| 4    | 01077390          | 01077390 | 1    | Gear box with shaft |
| 5    | 01170790          | 01170790 | 1    | Motor               |
| 6    | 01077360          | 01077360 | 1    | Covering            |
| 7    | 01077350          | 01077350 | 4    | Carbon brush        |
| 8    | 01077400          | 01077400 | 2    | Bushing             |
| 9    | 01077380          | 01077380 | 4    | Nut                 |

**Chassis Assembly II**  
Wheel Subassembly

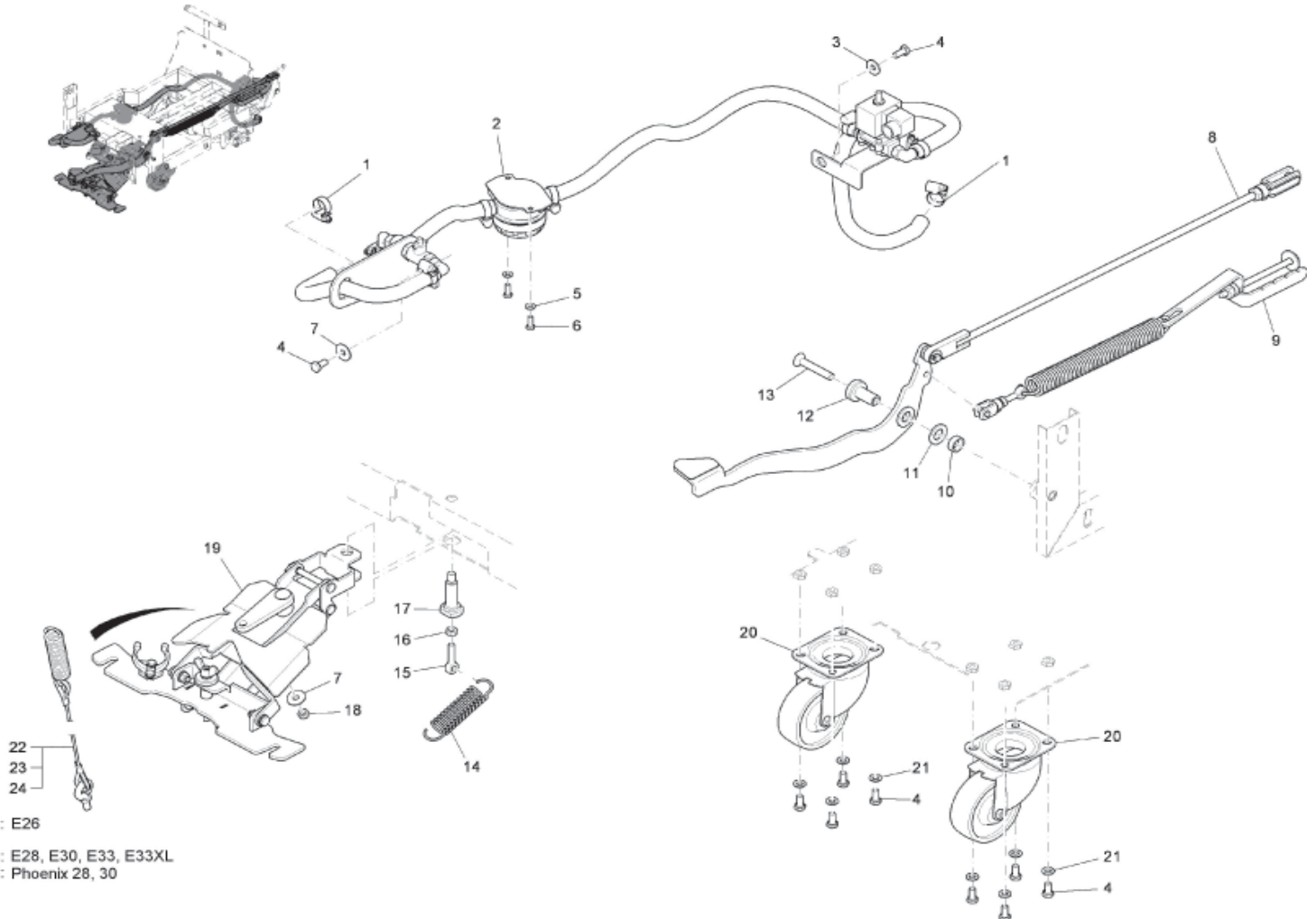


**Bill of Material - 90523309 (99706111BT22)**

| Item | Spare part number | Mat. No. | Description      |
|------|-------------------|----------|------------------|
| 1    | 00127160          | 90053000 | Cap              |
| 2    | 00059490          | 12640082 | Thrust washer    |
| 3    | 00153700          | 12335170 | Adjusting washer |
| 4    | 00959310          | 11717022 | Hex.bolt         |
| 5    | 00621690          | 96057013 | Rim              |
| 6    | 00770190          | 90180084 | Tire             |
| 7    | 00053730          | 12310033 | Washer           |
| 8    | 00051520          | 12040044 | Hexagon nut      |
| 9    | 00621710          | 90251869 | Rim              |
| 10   | 00046430          | 12336012 | Adjusting washer |
| 11   | 00136510          | 12334058 | Supporting ring  |
| 12   | 00320810          | 90006727 | Hose             |
| 14   | 00411670          | 90275082 | Tyre             |
| 15   | 00621690          | 96057013 | Rim              |
| 16   | 00621710          | 90251869 | Rim              |
| 17   | 00051520          | 12040044 | Hexagon nut      |
| 18   | 00053730          | 12310033 | Washer           |



**Chassis Assembly III**



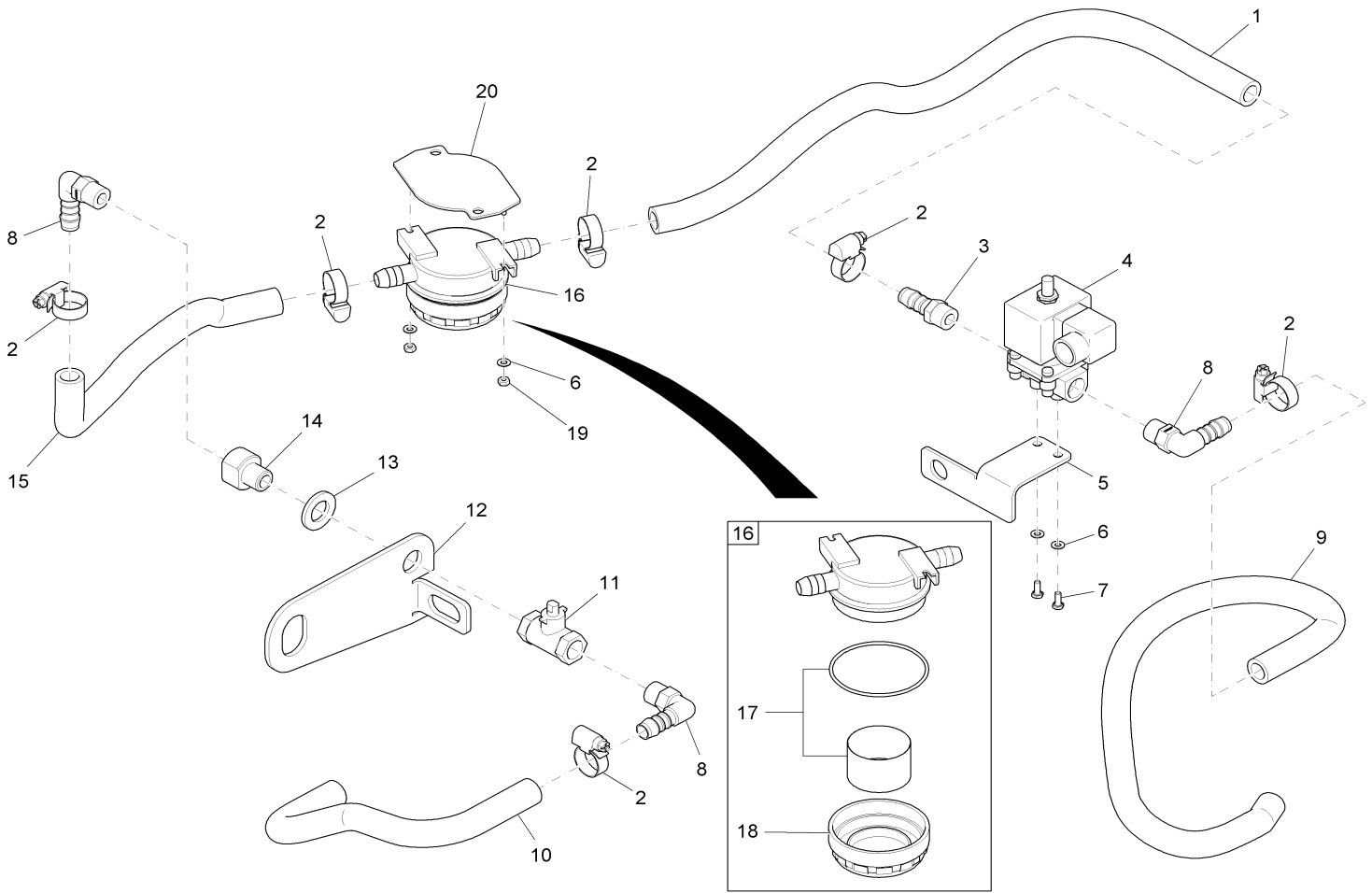
- 22: E26
- 23: E28, E30, E33, E33XL
- 24: Phoenix 28, 30

**Bill of Material - 99706111BT30**

| Item | Spare part number | Mat. No. | Qty. | Description               | Note                                 |
|------|-------------------|----------|------|---------------------------|--------------------------------------|
| 1    | 01015350          | 17533159 | 2    | Hose clamp                |                                      |
| 2    | 99706111BT31      |          | 1    | Water feed system         | DO NOT ORDER, ITEM HAS SUBASSEMBLIES |
| 3    | 00042900          | 12332029 | 1    | Washer                    |                                      |
| 4    | 00053080          | 11038197 | 2    | Hexagon screw             |                                      |
| 5    | 00053730          | 12310033 | 2    | Washer                    |                                      |
| 6    | 00053010          | 11038072 | 2    | Hex.bolt                  |                                      |
| 7    | 00042900          | 12332029 | 2    | Washer                    |                                      |
| 8    | 99706111BT32      |          | 1    | Lifting pedal             | DO NOT ORDER, ITEM HAS SUBASSEMBLIES |
| 9    | 99706111BT33      |          | 1    | Brush pression adjustment | DO NOT ORDER, ITEM HAS SUBASSEMBLIES |
| 10   | 01077790          | 90509027 | 1    | Pipe                      |                                      |
| 11   | 00053790          | 12310082 | 1    | Washer                    |                                      |
| 12   | 01077800          | 90509522 | 1    | Bushing                   |                                      |
| 13   | 01078140          | 11225620 | 1    | Countersunk screw         |                                      |
| 14   | 01078150          | 90523333 | 1    | Tension spring            |                                      |
| 15   | 00735690          | 11518180 | 1    | Eye bolt                  |                                      |
| 16   | 00053350          | 12022059 | 1    | Hexagon nut               |                                      |
| 17   | 01077830          | 90513573 | 1    | Pivot                     |                                      |
| 18   | 00051510          | 12040051 | 1    | Hexagon nut               |                                      |
| 19   | 03008100          |          | 1    | Squeegee connection       | DO NOT ORDER, ITEM HAS SUBASSEMBLIES |
| 20   | 01077840          | 90515131 | 2    | Steering roller           |                                      |
| 21   | 00053750          | 12310041 | 2    | Washer                    |                                      |
| 22   | 01077980          | 96112370 | 1    | Linkage                   | E26                                  |
| 23   | 01170560          | 96115456 | 1    | Linkage                   | E28, 30, 33, 33XL                    |
| 24   | 01170620          | 96117510 | 1    | Linkage                   | Phoenix 28, 30                       |



**Chassis Assembly III**  
Water Feed System Subassembly



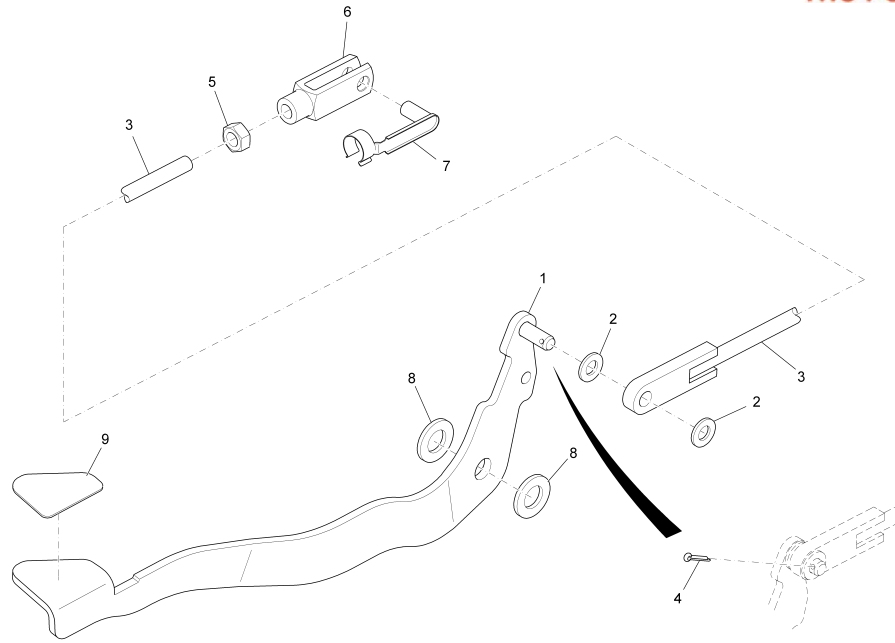
**Bill of Material - 97090161 (99706111BT31)**

| Item | Spare part number | Mat. No. | Qty.  | Description                  |
|------|-------------------|----------|-------|------------------------------|
| 1    | 00200170          | 25842055 | 560mm | PVC hose                     |
| 2    | 01015350          | 17533159 | 6     | Hose clamp                   |
| 3    | 00976140          | 90310665 | 1     | Screwing in connecting piece |
| 4    | 01071000          | 90435595 | 1     | Electrovalve                 |
| 5    | XXXXXXXXXX        | 90513896 | 1     | Retainer                     |
| 6    | 00053710          | 12310017 | 4     | Washer                       |
| 7    | 00058580          | 11038965 | 2     | Hex.bolt                     |
| 8    | 00020020          | 90174970 | 3     | Angle socket                 |
| 9    | 00200170          | 25842055 | 540mm | PVC hose                     |
| 10   | 00200170          | 25842055 | 280mm | PVC hose                     |
| 11   | 00956340          | 90521576 | 1     | Ball valve                   |
| 12   | XXXXXXXXXX        | 90507344 | 1     | Sheet metal                  |
| 13   | 00053790          | 12310082 | 1     | Washer                       |
| 14   | 01077630          | 90517657 | 1     | Screw                        |
| 15   | 00200170          | 25842055 | 340mm | PVC hose                     |
| 16   | 01077170          | 90522640 | 1     | Water filter                 |
| 17   | 01079170          | 01079170 | 1     | filter cartridge             |
| 18   | 01076500          | 01076500 | 1     | Screw cap                    |
| 19   | 00133830          | 12040028 | 2     | Hex. Nut                     |
| 20   | 01078510          | 96115035 | 1     | Sheet metal                  |

**Notes**

cpl. with o-ring

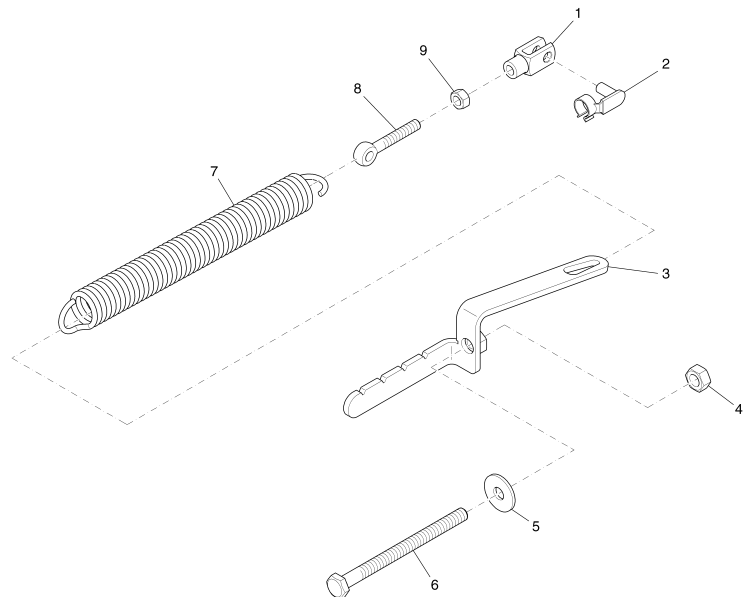
**Chassis Assembly III**  
Lift Pedal Subassembly



**Bill of Material - 97093181 (99706111BT32)**

| Item | Spare part number | Mat. No. | Qty. | Description   |
|------|-------------------|----------|------|---------------|
| 1    | 01170020          | 96117361 | 1    | Lifting pedal |
| 2    | 00053760          | 12310058 | 2    | Washer        |
| 3    | 01077930          | 96111877 | 1    | Rod           |
| 4    | 00551410          | 13280110 | 1    | Cotter pin    |
| 5    | 00053360          | 12022067 | 1    | Hexagon nut   |
| 6    | 00925430          | 16055063 | 1    | Fork yoke     |
| 7    | 00925420          | 13390042 | 1    | Bolt          |
| 8    | 01078240          | 90510017 | 2    | Washer        |
| 9    | 01078560          | 90518580 | 1    | Decal         |

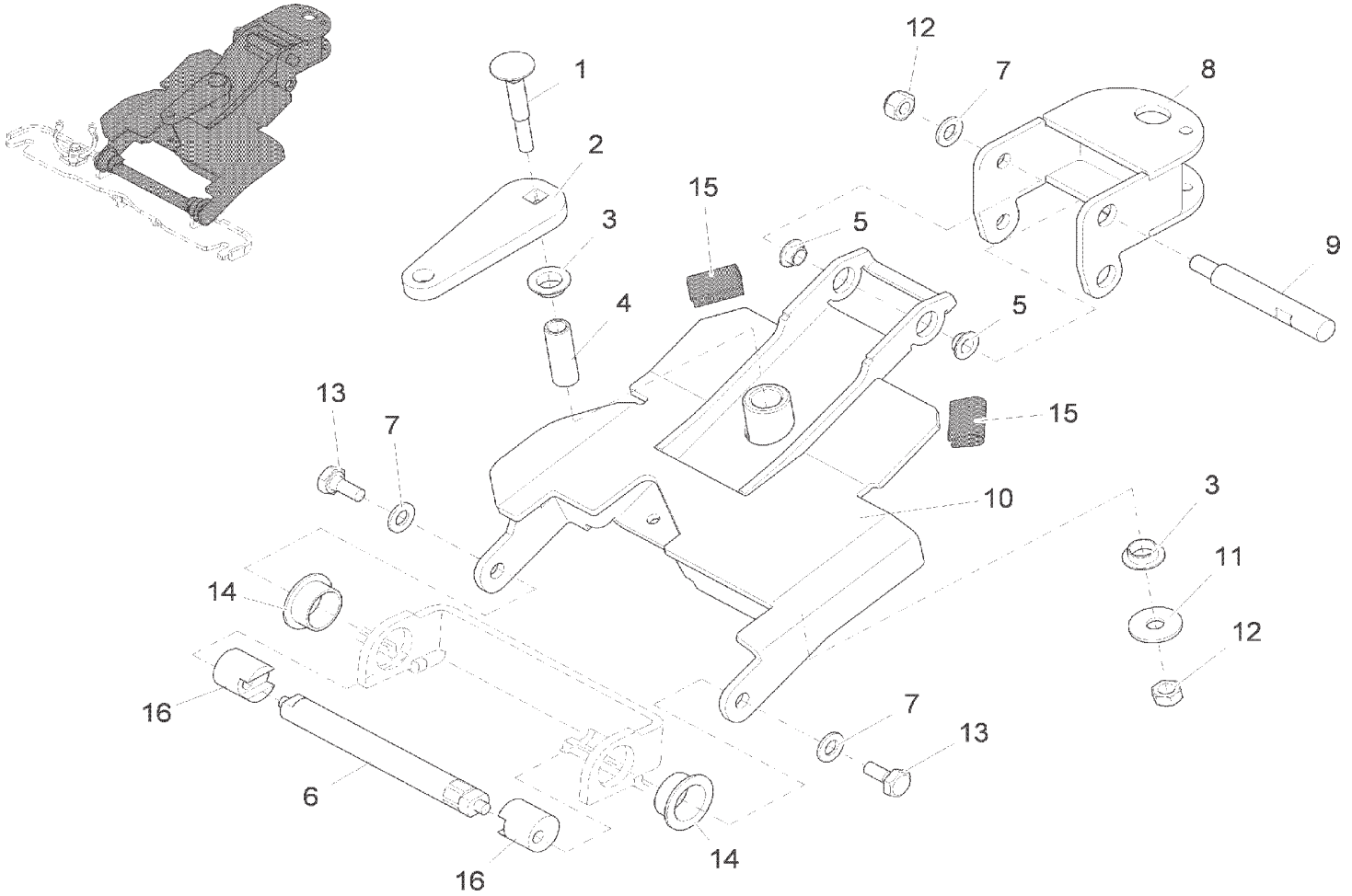
**Chassis Assembly III**  
Brush Pressure Adjustment Subassembly



**Bill of Material - 97094791 (99706111BT33)**

| Item | Spare part number | Mat. No. | Qty. | Description    |
|------|-------------------|----------|------|----------------|
| 1    | 00151440          | 16055089 | 1    | Fork yoke      |
| 2    | 00151400          | 13390059 | 1    | Bolt           |
| 3    | 01078500          | 96111505 | 1    | Sheet metal    |
| 4    | 00053360          | 12022067 | 1    | Hexagon nut    |
| 5    | 00046520          | 12332037 | 1    | Washer         |
| 6    | 01031550          | 11039716 | 1    | Hexagon screw  |
| 7    | 01077770          | 90504242 | 1    | Tension spring |
| 8    | 00706170          | 11518016 | 1    | Eye bolt       |
| 9    | 00053350          | 12022059 | 1    | Hexagon nut    |

**Chassis Assembly III**  
Squeegee Connection Subassembly I

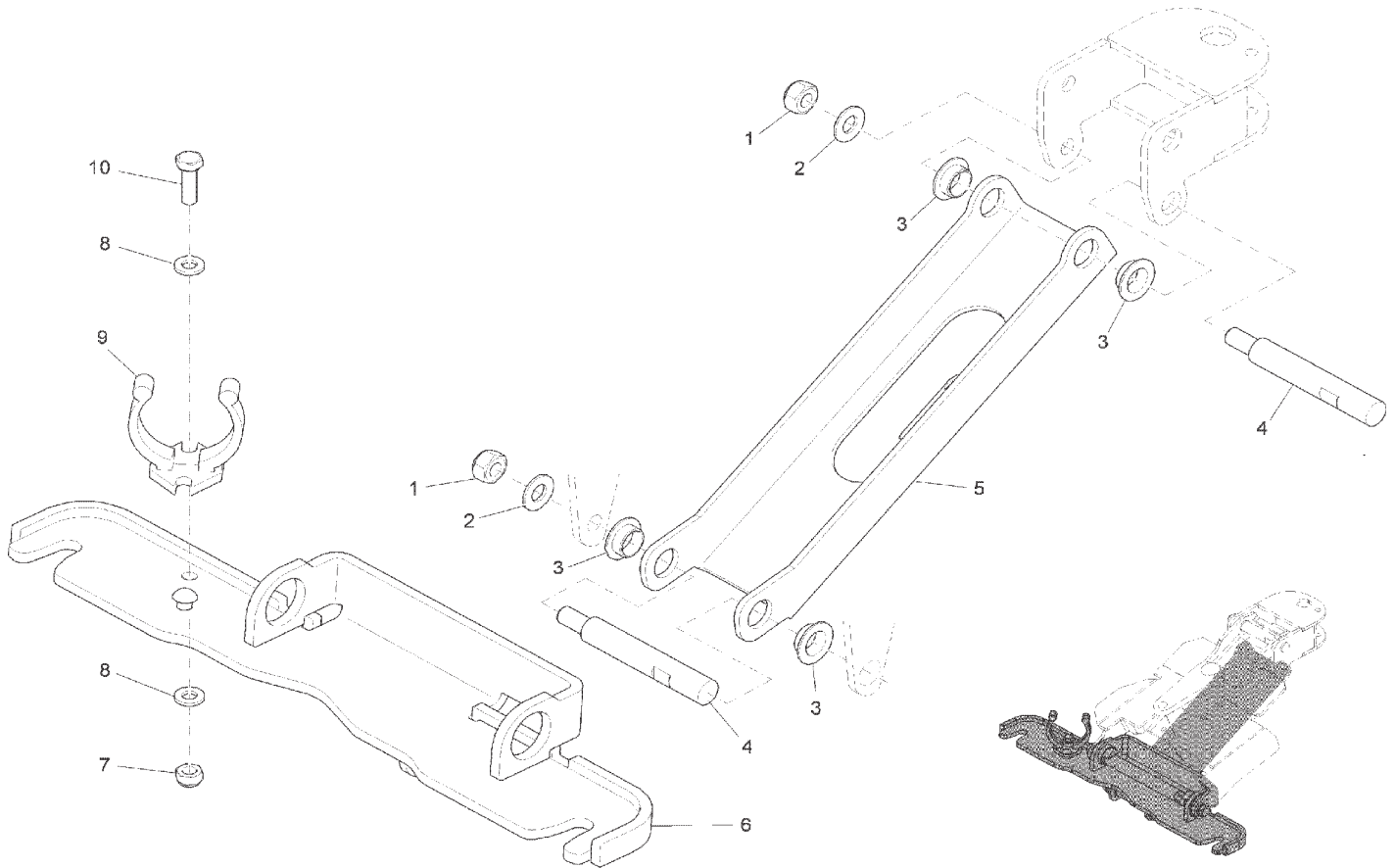


**Bill of Material - 03008100BT10 Squeegee Connection**

| Item | Spare part number | Mat. No. | Qty. | Description               |
|------|-------------------|----------|------|---------------------------|
| 1    | 01130940          | 11620564 | 1    | Cup head square neck bolt |
| 2    | 01170040          | 90521790 | 1    | Sheet metal               |
| 3    | 01077510          | 14895478 | 2    | Slide bearing bush        |
| 4    | 01171550          | 90547886 | 1    | Bushing                   |
| 5    | 01171330          | 14895197 | 2    | Slide bearing bush        |
| 6    | 01171360          | 90546847 | 1    | Shaft                     |
| 7    | 00101550          | 12310264 | 3    | Washer                    |
| 8    | 01171290          | 96119938 | 1    | Round part                |
| 9    | 01171540          | 90547381 | 3    | Threaded bolt             |
| 10   | 01171300          | 96120985 | 1    | Sheet metal               |
| 11   | 00042900          | 12332029 | 1    | Washer                    |
| 12   | 00101540          | 12040259 | 4    | Hexagon nut               |
| 13   | 01071740          | 11039609 | 2    | Hex.bolt                  |
| 14   | 01130470          | 14895361 | 2    | Slide bearing bush        |
| 15   | 00161240          | 25582024 | 60mm | Edge protection           |
| 16   | 01171370          | 90547399 | 2    | Excentric                 |

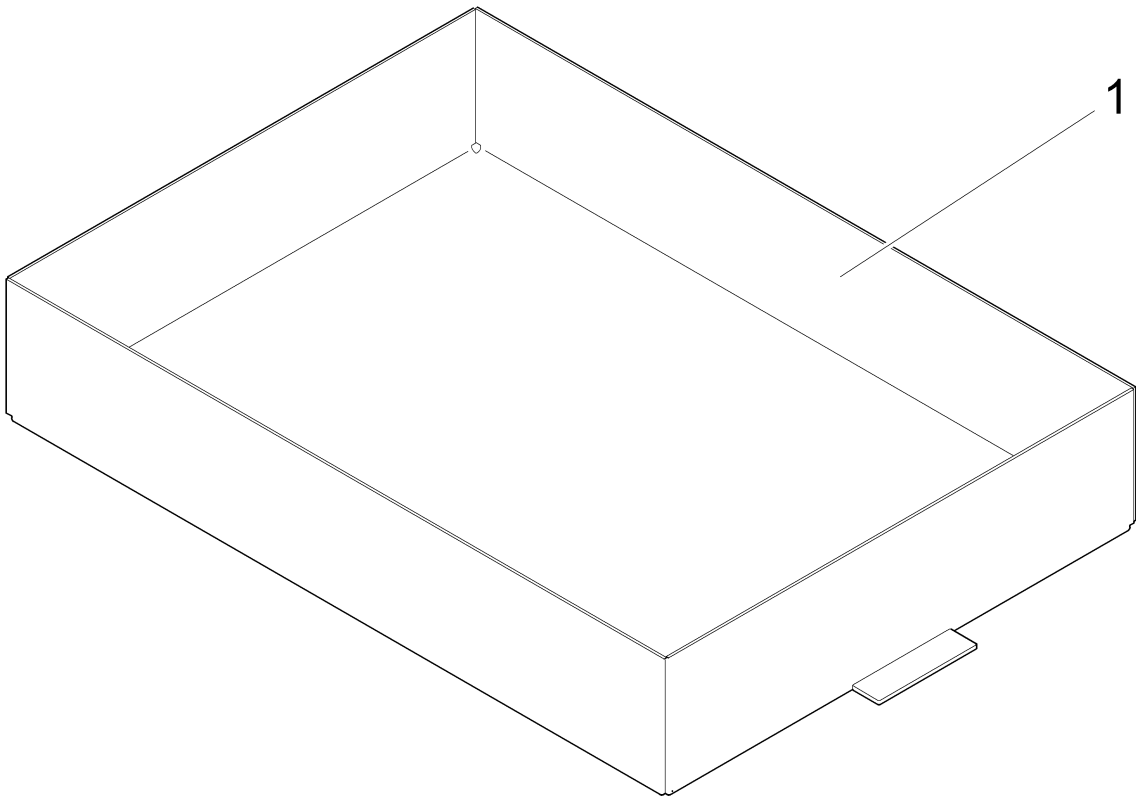
**Chassis Assembly III**

**Squeegee Connection Subassembly II**



**Bill of Material - 03008100BT20 Squeegee connection (from appr. 15. Apr. 2008)**

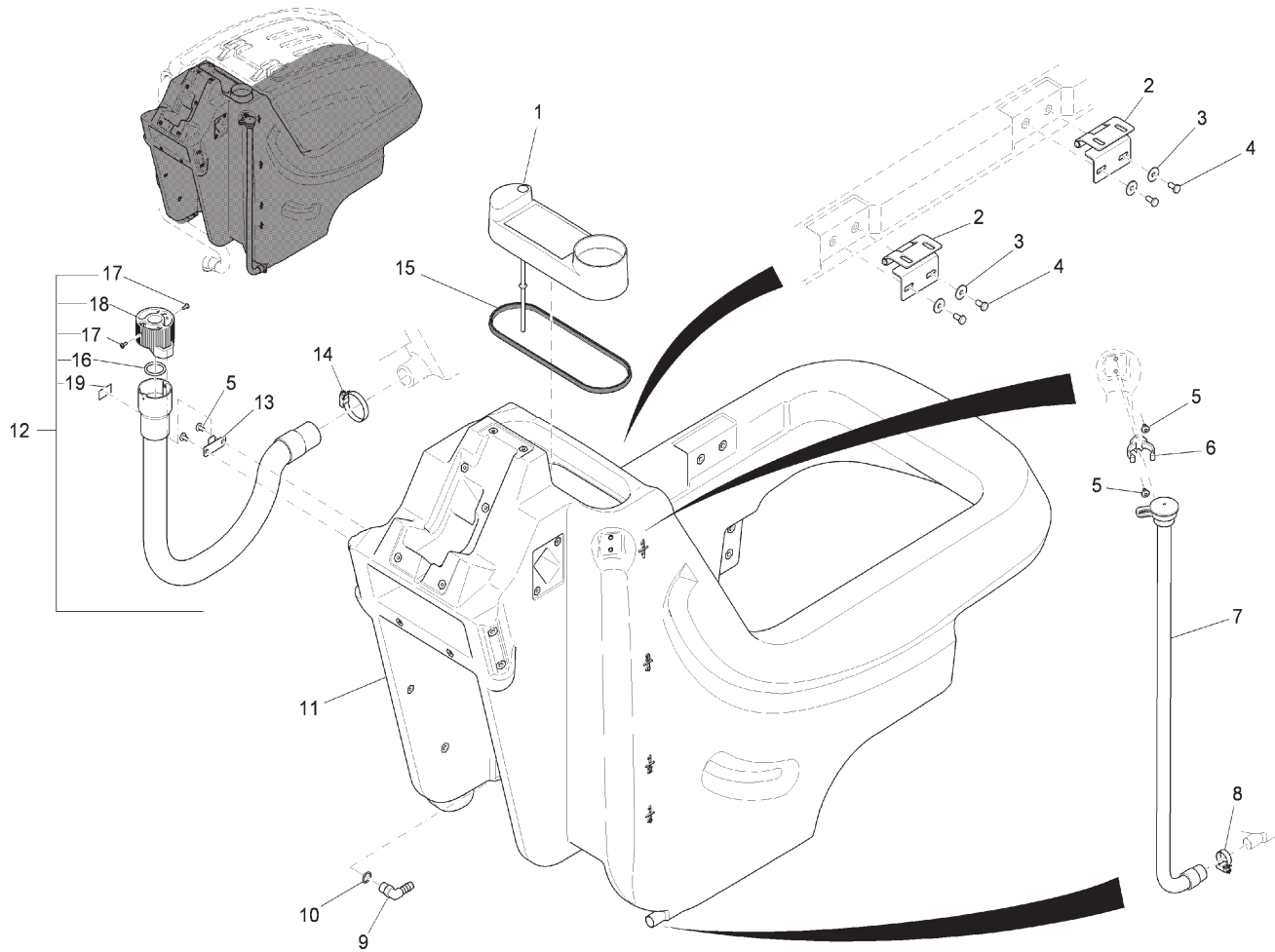
| Item | Spare part number | Mat. No. | Qty. | Description        |
|------|-------------------|----------|------|--------------------|
| 1    | 00101540          | 12040259 | 2    | Hexagon nut        |
| 2    | 00101550          | 12310264 | 2    | Washer             |
| 3    | 01171330          | 14895197 | 2    | Slide bearing bush |
| 4    | 01171540          | 90547381 | 3    | Threaded bolt      |
| 5    | 01171280          | 90543521 | 1    | Draft link         |
| 6    | 01171310          | 96120993 | 1    | Sheet metal        |
| 7    | 00051520          | 12040044 | 1    | Hexagon nut        |
| 8    | 00053730          | 12310033 | 2    | Washer             |
| 9    | 01078120          | 90503251 | 1    | Hose support       |
| 10   | 00053020          | 11038098 | 1    | Hexagon screw      |



Bill of Material - 99706131BT40

| Item | Spare part number | Mat. No. | Qty. | Description  |
|------|-------------------|----------|------|--------------|
| 1    | 03007960          | 96117643 | 1    | Battery Tray |

**Solution Tank Assembly**

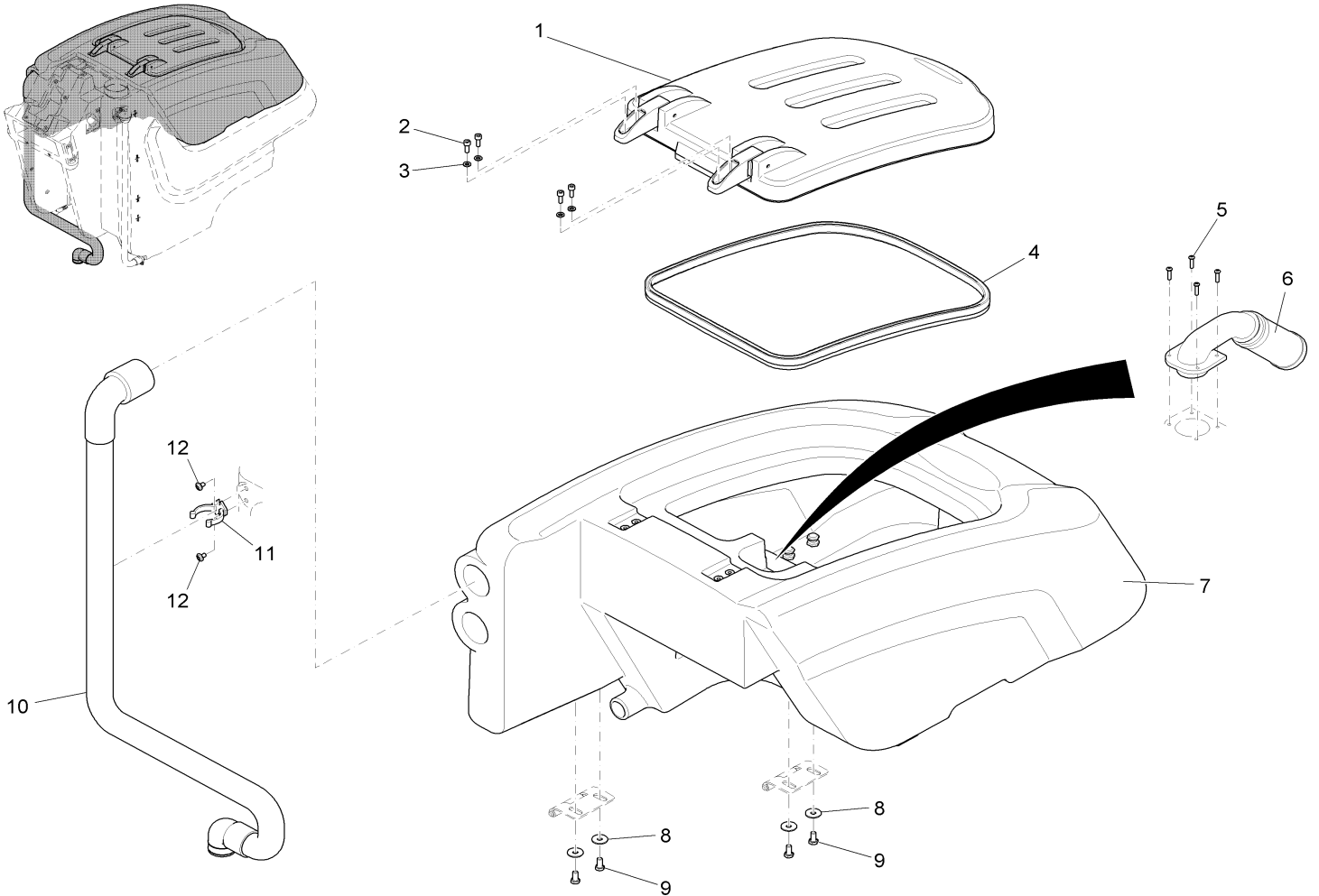


**Bill of Material - 97100143-1 (99706111BT50)**

| Item | Spare part number | Mat. No. | Qty.  | Description          |
|------|-------------------|----------|-------|----------------------|
| 1    | 01078100          | 96114061 | 1     | Fresh water cap      |
| 2    | 01078110          | 90496910 | 2     | Hinge                |
| 3    | 00042900          | 12332029 | 4     | Washer               |
| 4    | 00053080          | 11038197 | 4     | Hexagon screw        |
| 5    | 01072520          | 11177179 | 4     | Lens flange screw    |
| 6    | 01078120          | 90503251 | 1     | Hose support         |
| 7    | 01077910          | 96109541 | 1     | Hose                 |
| 8    | 01161690          | 17533290 | 1     | Clamp                |
| 9    | 00020020          | 90174970 | 1     | Angle socket         |
| 10   | 00057720          | 15286149 | 1     | O-ring oil resistant |
| 11   | 01170700          | 96117734 | 1     | Fresh water tank     |
| 12   | 01077960          | 97090096 | 1     | Foul water hose      |
| 13   | 01077860          | 90517574 | 1     | Hook                 |
| 14   | 00751160          | 17533043 | 1     | Hose clamp           |
| 15   | 00721090          | 25583022 | 710mm | Edge protection      |
| 16   | 01079300          | 15282072 | 1     | O-Ring               |
| 17   | 00906100          | 11175395 | 2     | Fillister-head screw |
| 18   | 00906110          | 90304528 | 1     | Cover                |
| 19   | 01170060          | 17264888 | 1     | Decal FOUL WATER     |



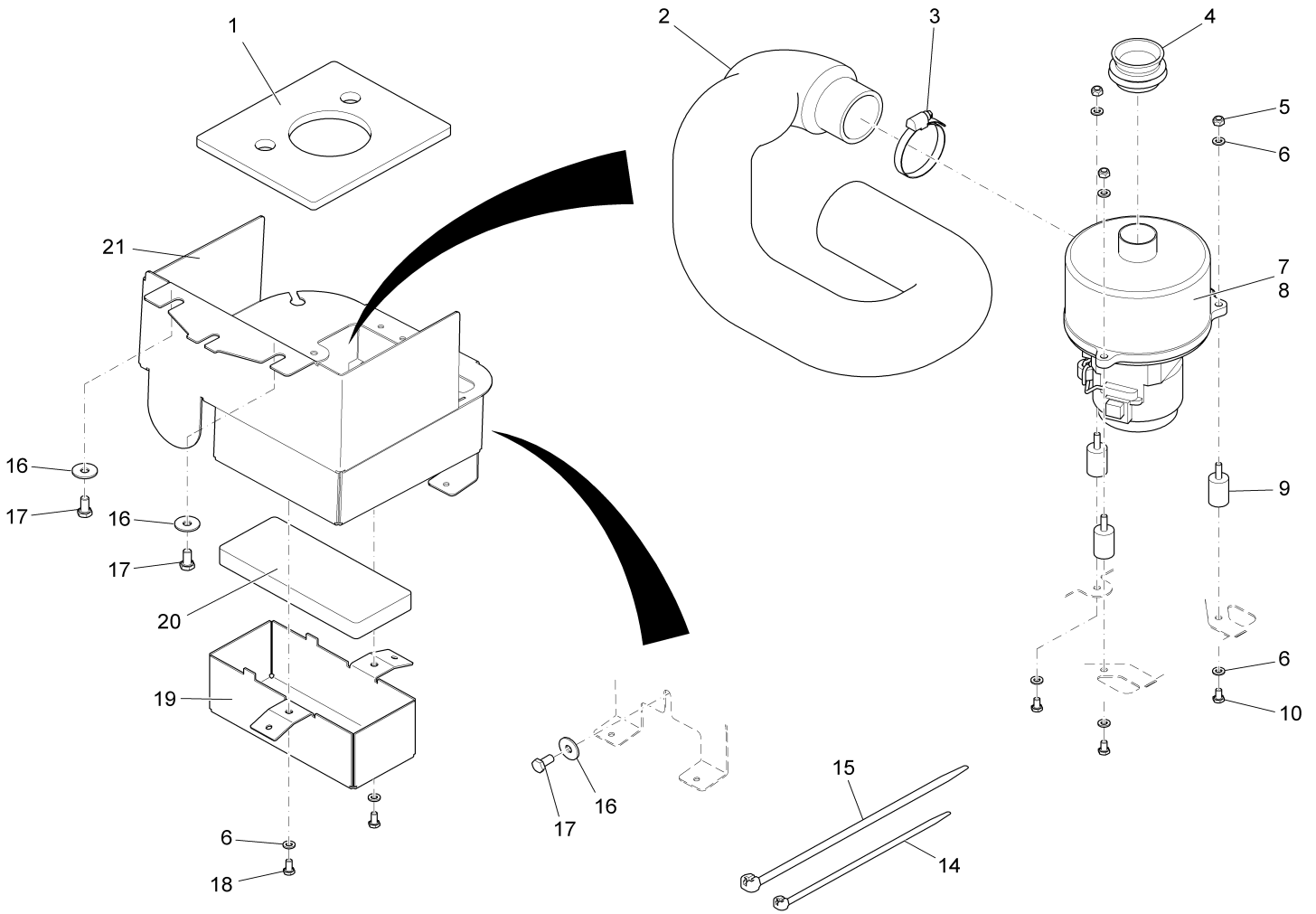
**Recovery Tank Assembly**



**Bill of Material - 97100143-2 (99706111BT60)**

| Item | Spare part number | Mat. No. | Qty. | Description         |
|------|-------------------|----------|------|---------------------|
| 1    | 01077990          | 97092951 | 1    | Cover               |
| 2    | 00136910          | 11126166 | 4    | Cylinder head screw |
| 3    | 00053730          | 12310033 | 4    | Washer              |
| 4    | 25510512          | 25510512 | 6 ft | Sealing profile     |
| 5    | 01078160          | 11709151 | 4    | Screw               |
| 6    | 01078250          | 97093843 | 1    | Filter unit         |
| 7    | 01079410          | 96117726 | 1    | Hopper              |
| 8    | 00042900          | 12332029 | 4    | Washer              |
| 9    | 00053080          | 11038197 | 4    | Hexagon screw       |
| 10   | 01077920          | 96111349 | 1    | Suction hose        |
| 11   | 01078120          | 90503251 | 1    | Hose support        |
| 12   | 01072520          | 11177179 | 2    | Lens flange screw   |

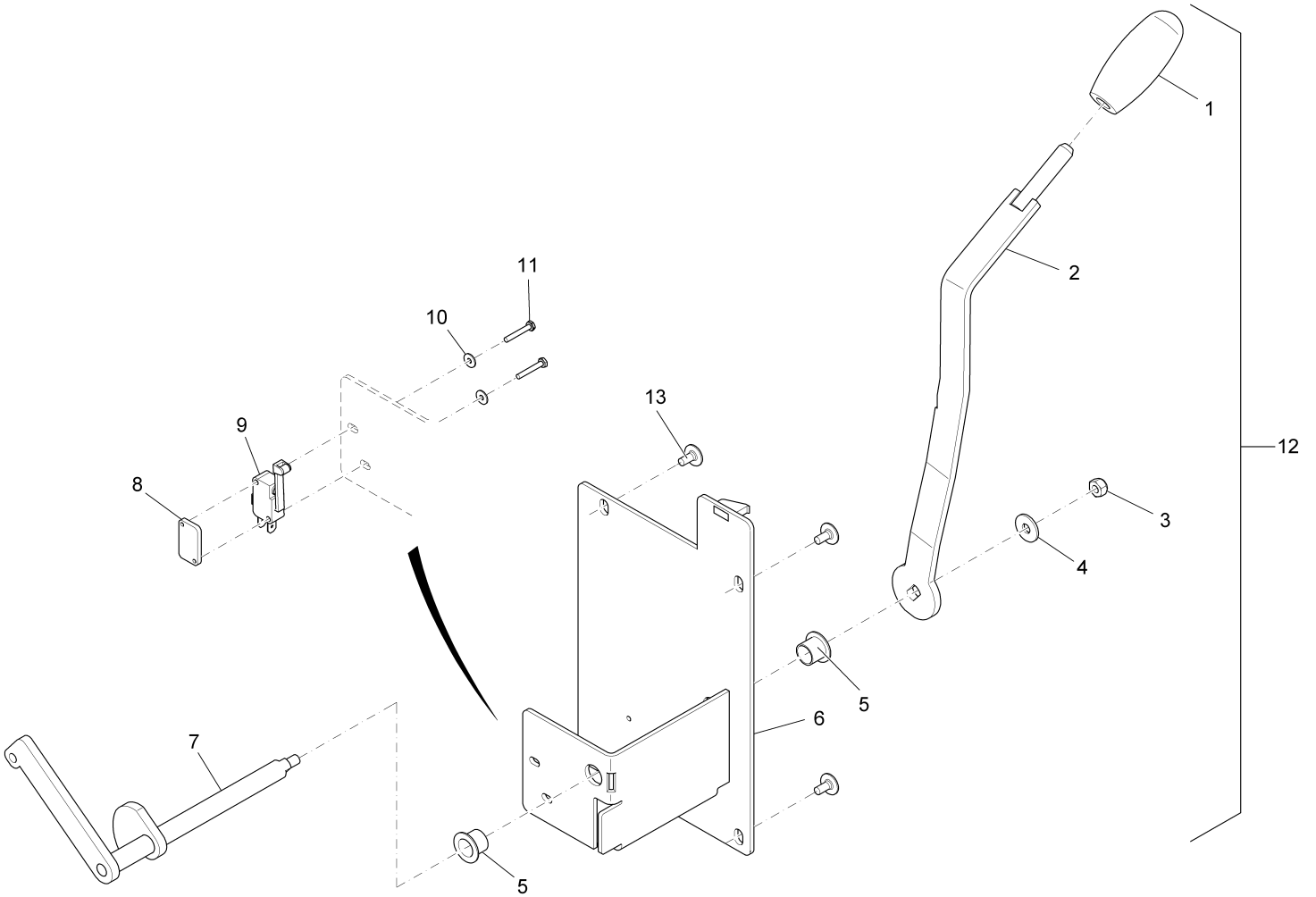
**Vacuum Motor Assembly**



**Bill of Material - 97092811 (99706111BT70)**

| Item | Spare part number | Mat. No. | Qty. | Description    |
|------|-------------------|----------|------|----------------|
| 1    | 01079740          | 90523945 | 1    | Insulation mat |
| 2    | 01077900          | 90519737 | 1    | Hose           |
| 3    | 00732130          | 17533027 | 1    | Hose clamp     |
| 4    | 01078180          | 90503657 | 1    | Connection     |
| 5    | 00051520          | 12040044 | 3    | Hexagon nut    |
| 6    | 00053730          | 12310033 | 8    | Washer         |
| 7    | 01079350          | 97096200 | 1    | Suction motor  |
| 8    | 01074610          | 01074610 | 4    | Carbon brush   |
| 9    | 01078190          | 90518457 | 3    | Buffer         |
| 10   | 00025260          | 11038056 | 3    | Hexagon screw  |
| 14   | 00121150          | 90114810 | 1    | Cable tie      |
| 15   | 00967760          | 90156688 | 4    | Cable tie      |
| 16   | 00042900          | 12332029 | 3    | Washer         |
| 17   | 00053080          | 11038197 | 3    | Hexagon screw  |
| 18   | 00104500          | 11038064 | 2    | Hexagon screw  |
| 19   | 01079750          | 90519653 | 1    | Cover          |
| 20   | 01079730          | 90519745 | 1    | Insulation mat |
| 21   | 03007810          | 96114301 | 1    | Sheet metal    |

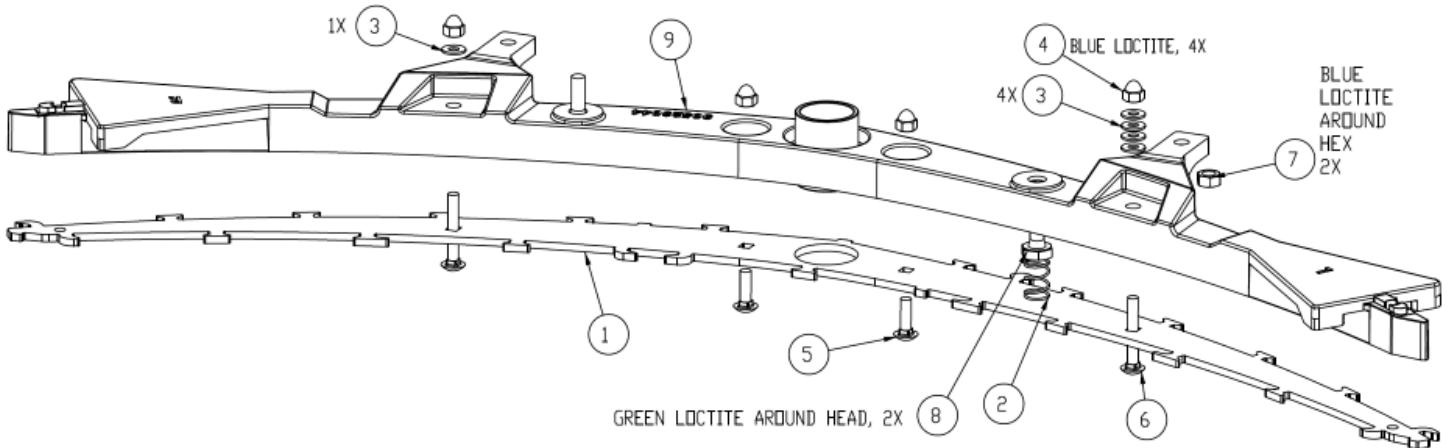
# Squeegee Lift Handle Assembly



**Bill of Material - 97102479 (99706111BT80)**

| Item | Spare part number | Mat. No. | Qty. | Description          |
|------|-------------------|----------|------|----------------------|
| 1    | 00705560          | 17143025 | 1    | Handle               |
| 2    | 01079160          | 96117825 | 1    | Lever                |
| 3    | 00051520          | 12040044 | 1    | Hexagon nut          |
| 4    | 00135120          | 12332011 | 1    | Washer               |
| 5    | 01071440          | 14895288 | 2    | Plain bearing bush   |
| 6    | 01079710          | 96110804 | 1    | Support plate        |
| 7    | 01079720          | 96110705 | 1    | Shaft with cam       |
| 8    | 01074840          | 90471483 | 1    | Thread base plate    |
| 9    | 00975510          | 90306002 | 1    | Micro switch         |
| 10   | 00747400          | 12332110 | 2    | Washer               |
| 11   | 00022180          | 11039088 | 2    | Hex.bolt             |
| 12   | 00009000          | 97092340 | 1    | Lifting suction unit |
| 13   | 01072520          | 11177179 | 4    | Lens flange screw    |

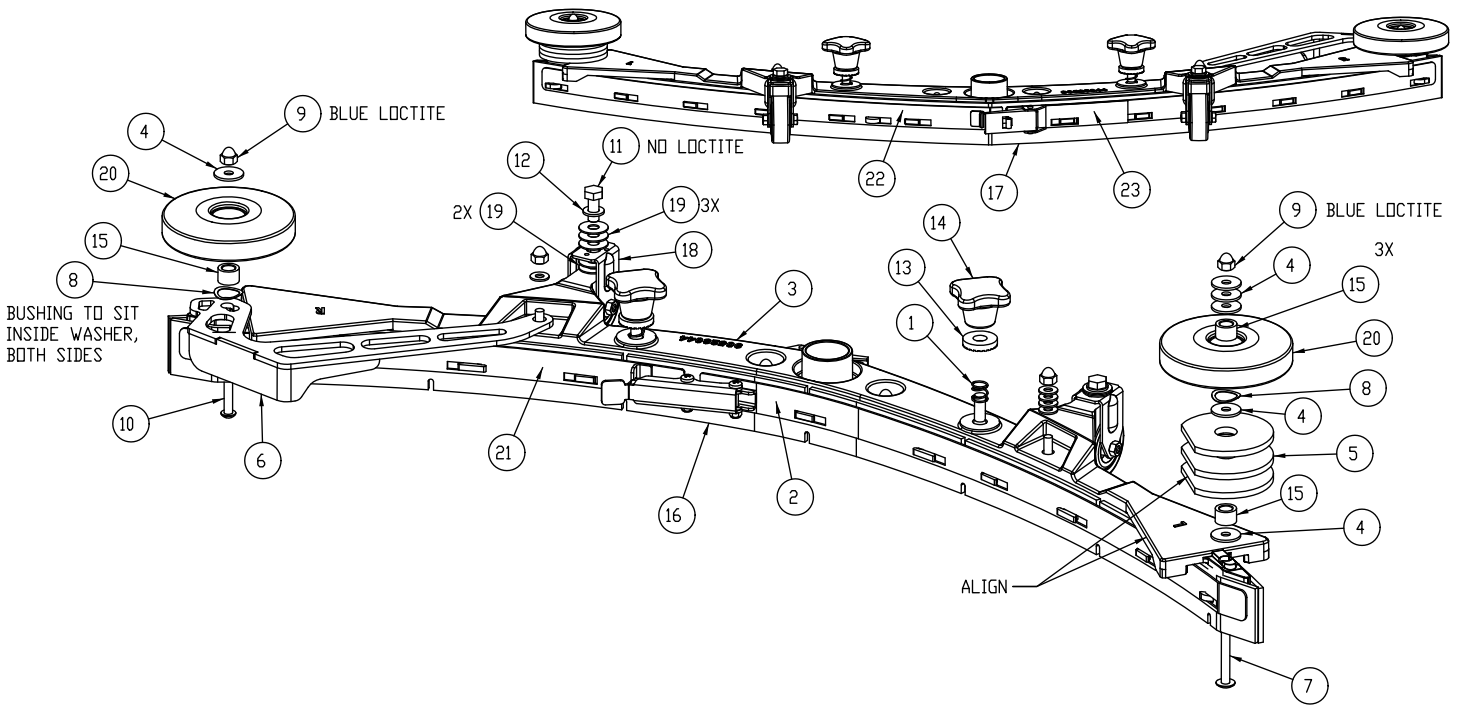
Squeegee Assembly I



Bill of Material - 172539

| Item | Mat. No. | Qty. | Description                    |
|------|----------|------|--------------------------------|
| 1    | 172437   | 1    | PLATE, BOTTOM 38" SQG, SS      |
| 2    | 670093   | 2    | SPRING-COMP .502 X .6 X 1 ZINC |
| 3    | 711504   | 5    | WSR-FLT 1/4 SS                 |
| 4    | 712591   | 4    | NUT, ACORN 1/4-20 SS           |
| 5    | 712593   | 2    | BLT-CARR 1/4-20 X .875 SS      |
| 6    | 712594   | 2    | BLT-CARR 1/4-20 X 1.75 SS      |
| 7    | 717029   | 2    | NUT-HEX M8 X 1.25 SS DIN 934   |
| 8    | 11039328 | 2    | BLT-HH M10x1.5 X 25 SS DIN 933 |
| 9    | 90523044 | 1    | CASTING, SQG BODY 38" (950mm)  |

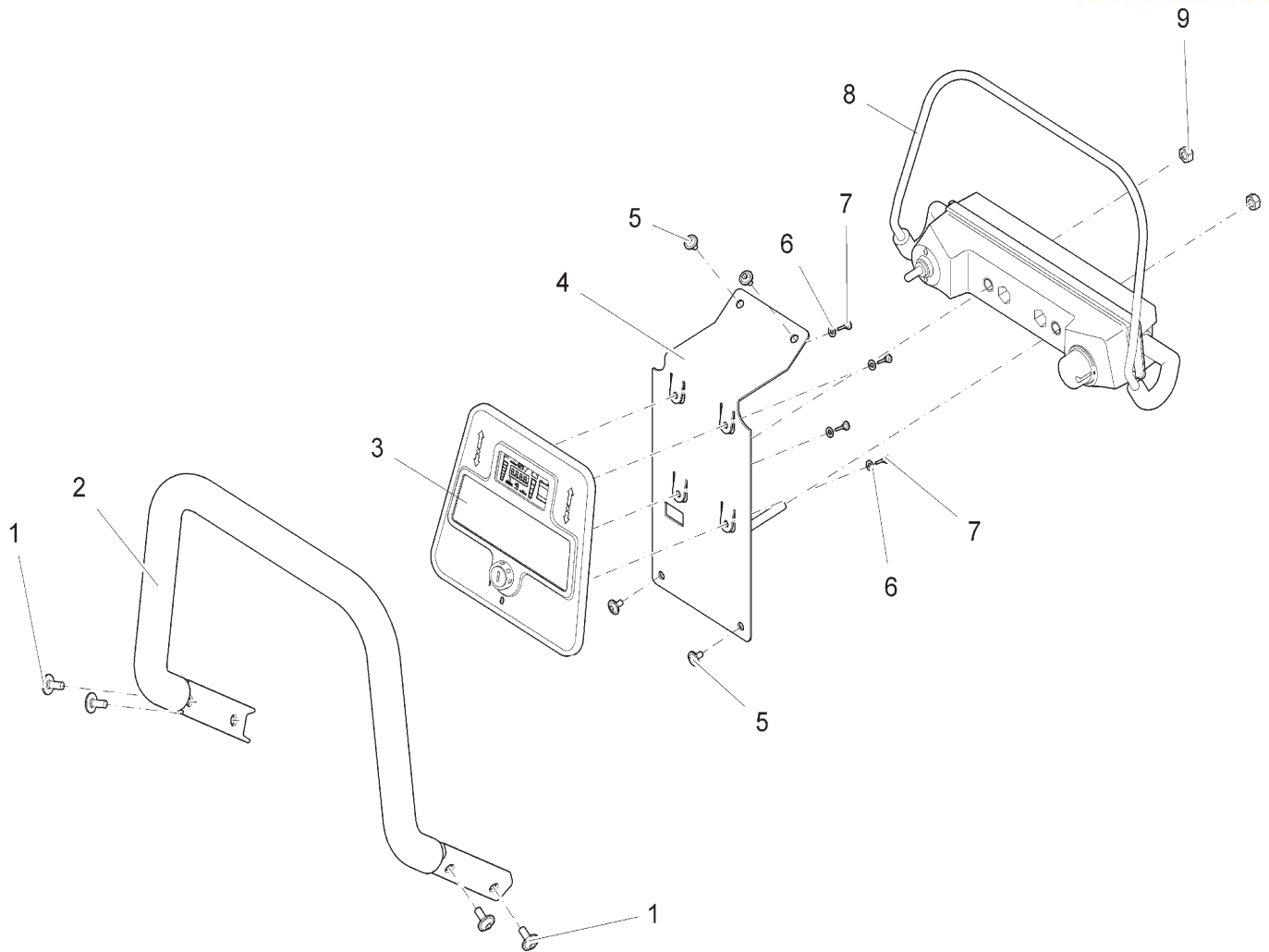
**Squeegee Assembly II**



**Bill of Material - 281338**

| Item | Mat. No. | Qty. | Description                             |
|------|----------|------|---|
| 1    | 172448   | 2    | SPRING, COMPRESSION                     |
| 2    | 172448   | 1    | STRAP W/ LATCH, FRONT LEFT, 38" SQG     |
| 3    | 172539   | 1    | 38" SQG BASE ASSY (See Sub Assembly)    |
| 4    | 173080   | 6    | WSR-FLT .266 X .875 X .07 SS            |
| 5    | 281211   | 3    | WSR-SNUBBING                            |
| 6    | 281242   | 1    | DEFLECTOR BRACKET - REAR SQUEEGEE       |
| 7    | 710592   | 1    | SCR-MC BHCS, 1/4-20 X 2.25 SS           |
| 8    | 711525   | 2    | WASHER, WAVE .65 X .86 X .01            |
| 9    | 712591   | 2    | NUT, ACORN 1/4-20 SS                    |
| 10   | 712592   | 1    | SCR-MC BHCS, 1/4-20 X 2.25 SS           |
| 11   | 717030   | 2    | BLT-HH M8X1.25 X 20MM SS                |
| 12   | 12310264 | 2    | WSR-FLT M8.4 X 16 X 1.6 A2 SS 140HV DIN |
| 13   | 12515094 | 2    | WSR-CONICAL SERRATED TOOTH M10.6 X 26 X |
| 14   | 17133026 | 2    | STAR HANDLE, M10, BLACK                 |
| 15   | 90199019 | 3    | BUSHING, 10 X 16 X 10.8MM ZINC          |
| 16   | 90493560 | 1    | SQUEEGEE BLADE, FRONT                   |
| 17   | 90494139 | 1    | SQUEEGEE BLADE, REAR                    |
| 18   | 90513094 | 2    | FIXED CASTOR                            |
| 19   | 90531112 | 10   | WASHER-FLAT 8.3 x 22 x 1.00mm STAINLESS |
| 20   | 90548397 | 2    | ROLLER - PLASTIC, 100mm DIA. (4")       |
| 21   | 96125828 | 1    | FRONT RIGHT TENSION BAND                |
| 22   | 96125844 | 1    | REAR LEFT TENSION BAND                  |
| 23   | 96125851 | 1    | REAR RIGHT TENSION BAND W/ LATCH        |

# Control Panel Assembly

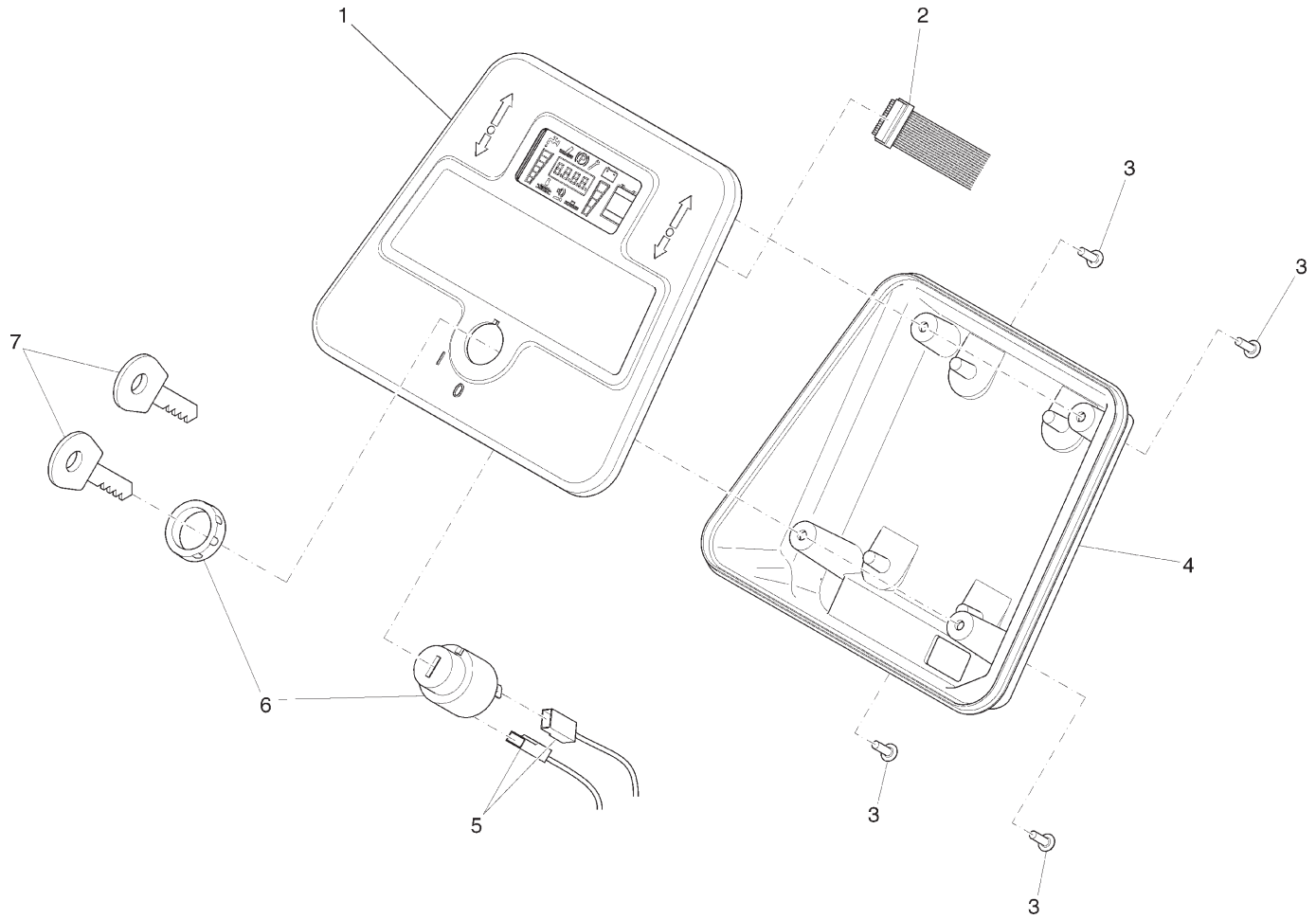


**Bill of Material - 97099477 (99706111BT120)**

| Item | Spare part number | Mat. No. | Qty. | Description        | Notes                                |
|------|-------------------|----------|------|--------------------|--------------------------------------|
| 1    | 01074320          | 11177187 | 4    | Lens flange screw  |                                      |
| 2    | 01079760          | 90494501 | 1    | Handle bar         |                                      |
| 3    | 97093801          |          | 1    | Console cpl.       | DO NOT ORDER, ITEM HAS SUBASSEMBLIES |
| 4    | 01079770          | 96117585 | 1    | Sheet metal        |                                      |
| 5    | 01072520          | 11177179 | 4    | Lens flange screw  |                                      |
| 6    | 00874720          | 12310272 | 4    | Washer             |                                      |
| 7    | 00961490          | 11709011 | 4    | Self tapping screw |                                      |
| 8    | 01079950          | 97096069 | 1    | Bail system        |                                      |
| 9    | 00051510          | 12040051 | 2    | Hexagon nut        |                                      |



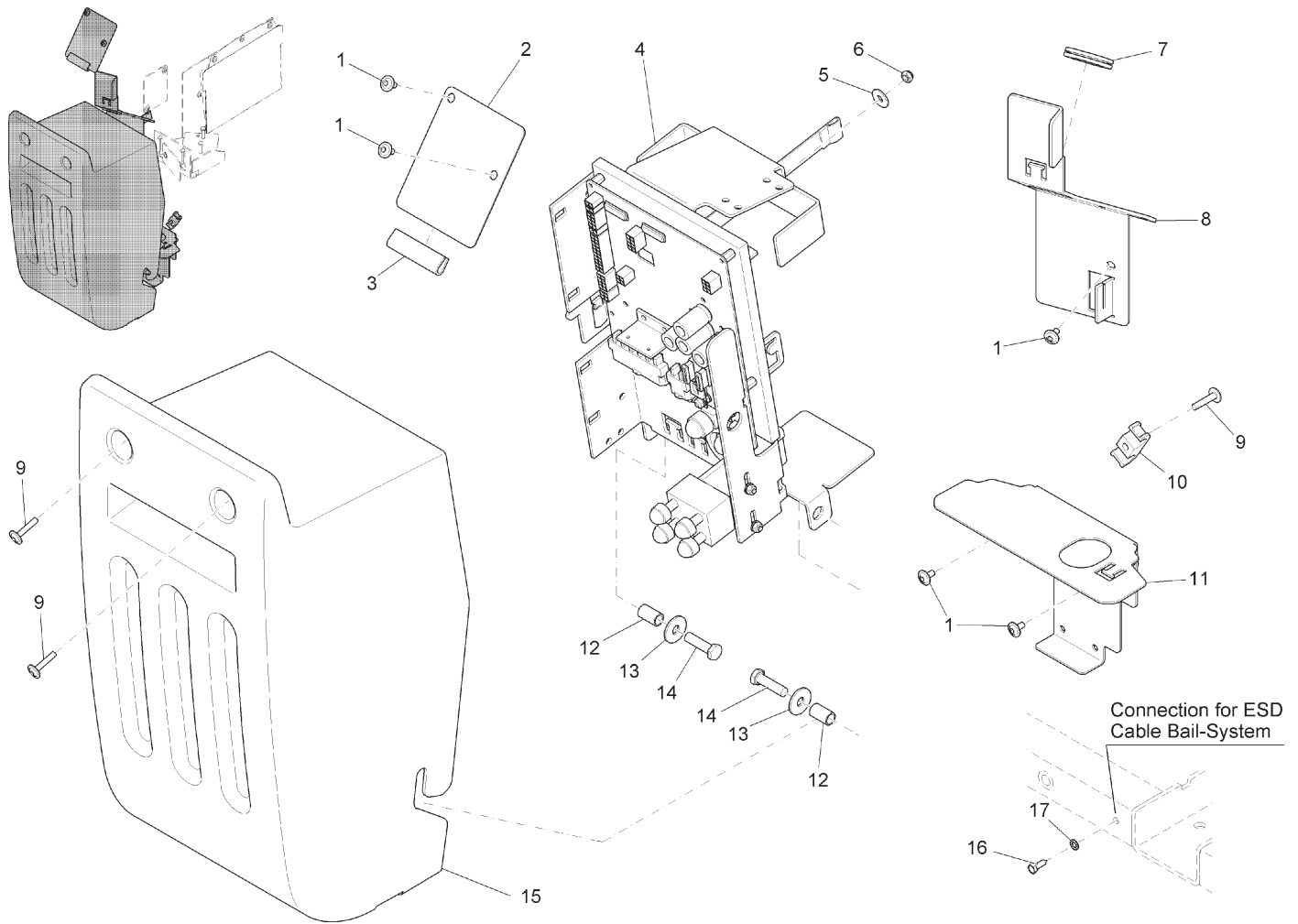
**Control Panel Assembly**  
Console Subassembly



**Bill of Material - 97093801 (99706111BT120-1)**

| Item | Spare part number | Mat. No. | Qty. | Description      |
|------|-------------------|----------|------|------------------|
| 1    | 01078920          | 97057152 | 1    | Console          |
| 2    | 01078930          | 90511130 | 1    | Ribbon cable     |
| 3    | 01078860          | 11702123 | 4    | Screw            |
| 4    | 01078940          | 90499492 | 1    | Console          |
| 5    | 01078950          | 90518150 | 1    | Cable key switch |
| 6    | 00021710          | 90323437 | 1    | Key switch       |
| 7    | 00745890          | 00745890 | 1    | Set (2pc.) key   |

**Electrical Assembly I**



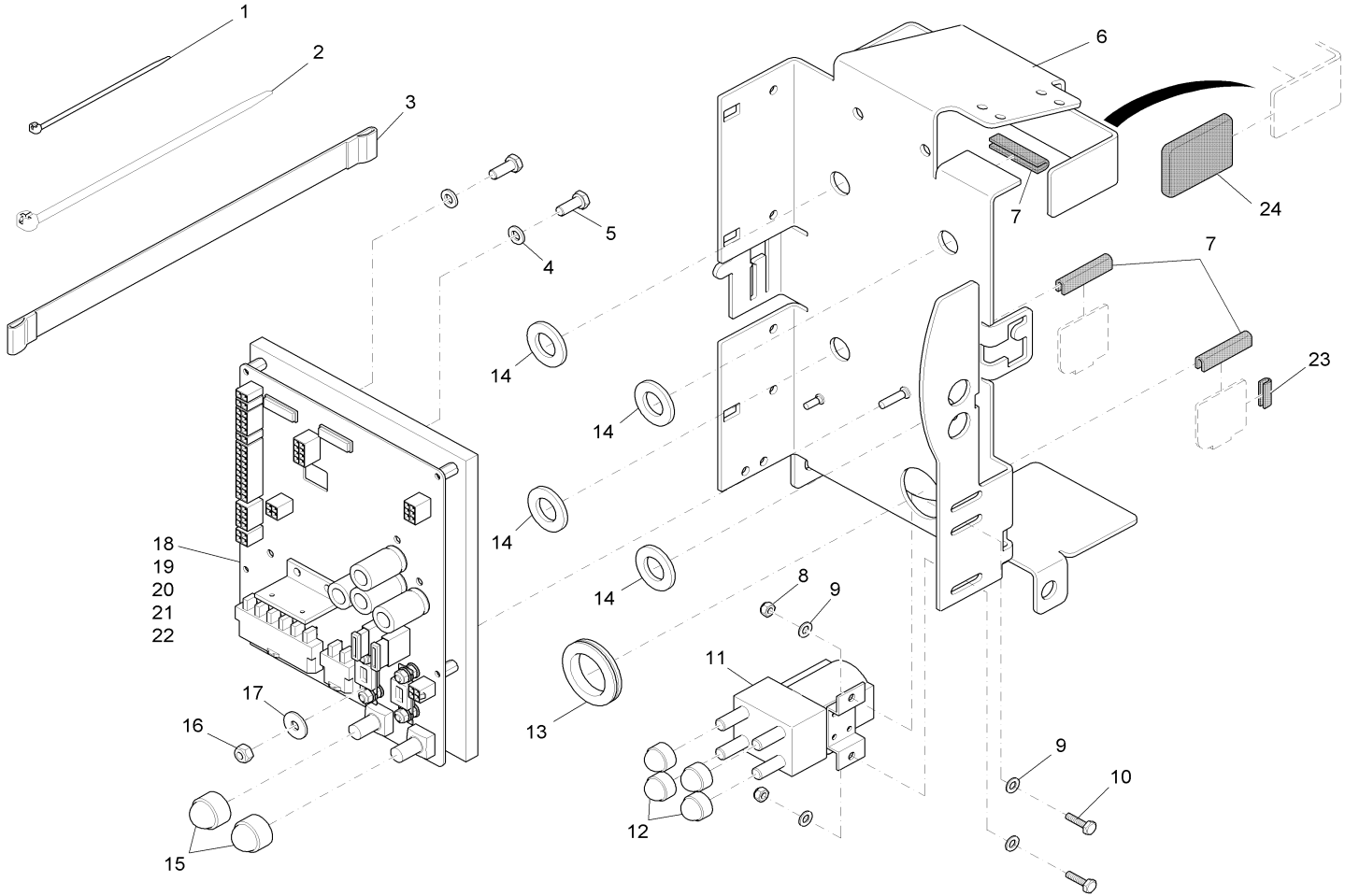
**Bill of Material - 97098990-1 (99706111BT130)**

| Item | Spare part number | Mat. No. | Qty. | Description       | Notes |
|------|-------------------|----------|------|-------------------|-------|
| 1    | 01072520          | 11177179 | 5    | Lens flange screw |       |
| 2    | 01078570          | 90509803 | 1    | Sheet metal       |       |
| 3    | 00161240          | 25582024 | 1    | Edge protection   |       |
| 4    | 97099006          |          | 1    | Retainer cpl.     |       |
| 5    | 00153200          | 12347027 | 1    | Washer            |       |
| 6    | 00051520          | 12040044 | 1    | Hexagon nut       |       |
| 7    | 01079690          | 15595259 | 1    | Cable sleeve      |       |
| 8    | 01078580          | 90511338 | 1    | Sheet metal       |       |
| 9    | 01082530          | 11177161 | 3    | Lens flange screw |       |
| 10   | 01073420          | 17521048 | 1    | Clamp             |       |
| 11   | 01078590          | 90529165 | 1    | Clamping plate    |       |
| 12   | 01078260          | 90499377 | 2    | Bushing           |       |
| 13   | 00042900          | 12332029 | 2    | Washer            |       |
| 14   | 00053110          | 11038254 | 2    | Hexagon screw     |       |
| 15   | 01078270          | 96114996 | 1    | Covering          |       |
| 16   | 01073850          | 11412046 | 1    | Tapping screw     |       |
| 17   | 00857150          | 12518080 | 1    | Lock washer       |       |

DO NOT ORDER, ITEM HAS SUBASSEMBLIES

**Electrical Assembly I**

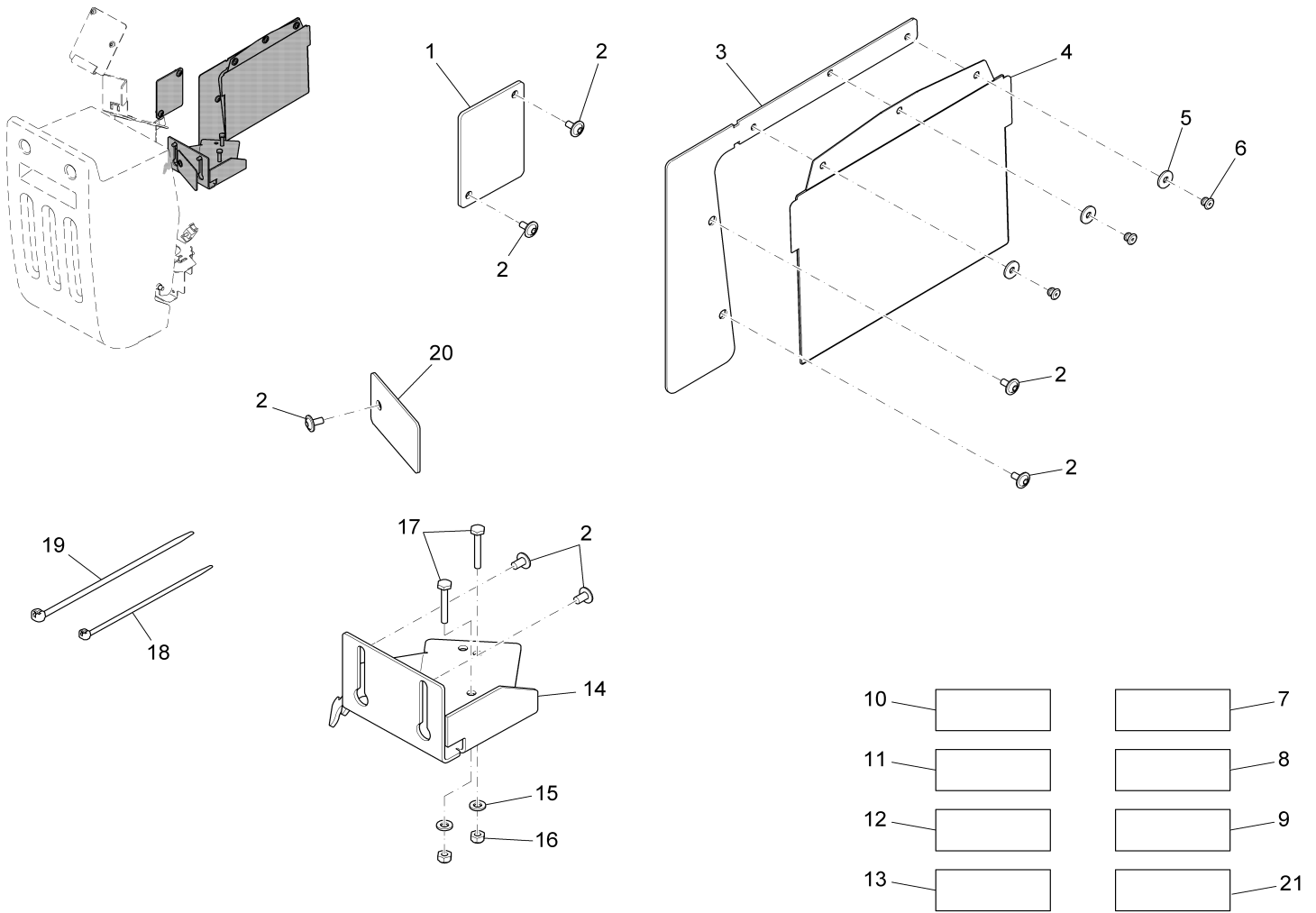
Retainer Subassembly



**Bill of Material - 97099006 (99706111BT130-1)**

| Item | Spare part number | Mat. No.     | Qty.  | Description                    |
|------|-------------------|--------------|-------|--------------------------------|
| 1    | 00967760          | 90156688     | 4     | Cable tie                      |
| 2    | 00121150          | 90114810     | 8     | Cable tie                      |
| 3    | 01077880          | 90517699     | 1     | Webbing                        |
| 4    | 00053730          | 12310033     | 2     | Washer                         |
| 5    | 00053010          | 11038072     | 2     | Hex.bolt                       |
| 6    | 01078640          | 96117668     | 1     | Retainer                       |
| 7    | 00721090          | 25583022     | 120mm | Edge protection                |
| 8    | 00051340          | 12040036     | 2     | Hexagon nut                    |
| 9    | 00053720          | 12310025     | 4     | Washer                         |
| 10   | 00054410          | 11038049     | 2     | Hex.bolt                       |
| 11   | 00707360          | 90331026     | 1     | Solenoid                       |
| 12   | 00131610          | 15592033     | 4     | Lens cap                       |
| 13   | 01079690          | 15595259     | 1     | Bushing                        |
| 14   | 01078240          | 90510017     | 4     | Washer                         |
| 15   | 00747210          | 15592041     | 2     | Lens cap                       |
| 16   | 00051520          | 12040044     | 1     | Hexagon nut                    |
| 17   | 00135120          | 12332011     | 1     | Washer                         |
| 18   | 01079140-E26      | 01079140-E26 | 1     | Controller HIGH 8-fet BAIL-KUD |
| 19   | 00972420          | 00972420     |       | Strip fuse                     |
| 20   | 00902440          | 00902440     |       | Strip fuse                     |
| 21   | 00733630          | 19731082     |       | Fuse                           |
| 22   | 00972430          | 00972430     |       | Fuse                           |
| 23   | 00721090          | 25583022     | 30mm  | Edge protection                |
| 24   | 01074240          | 90463746     | 2     | Cap                            |

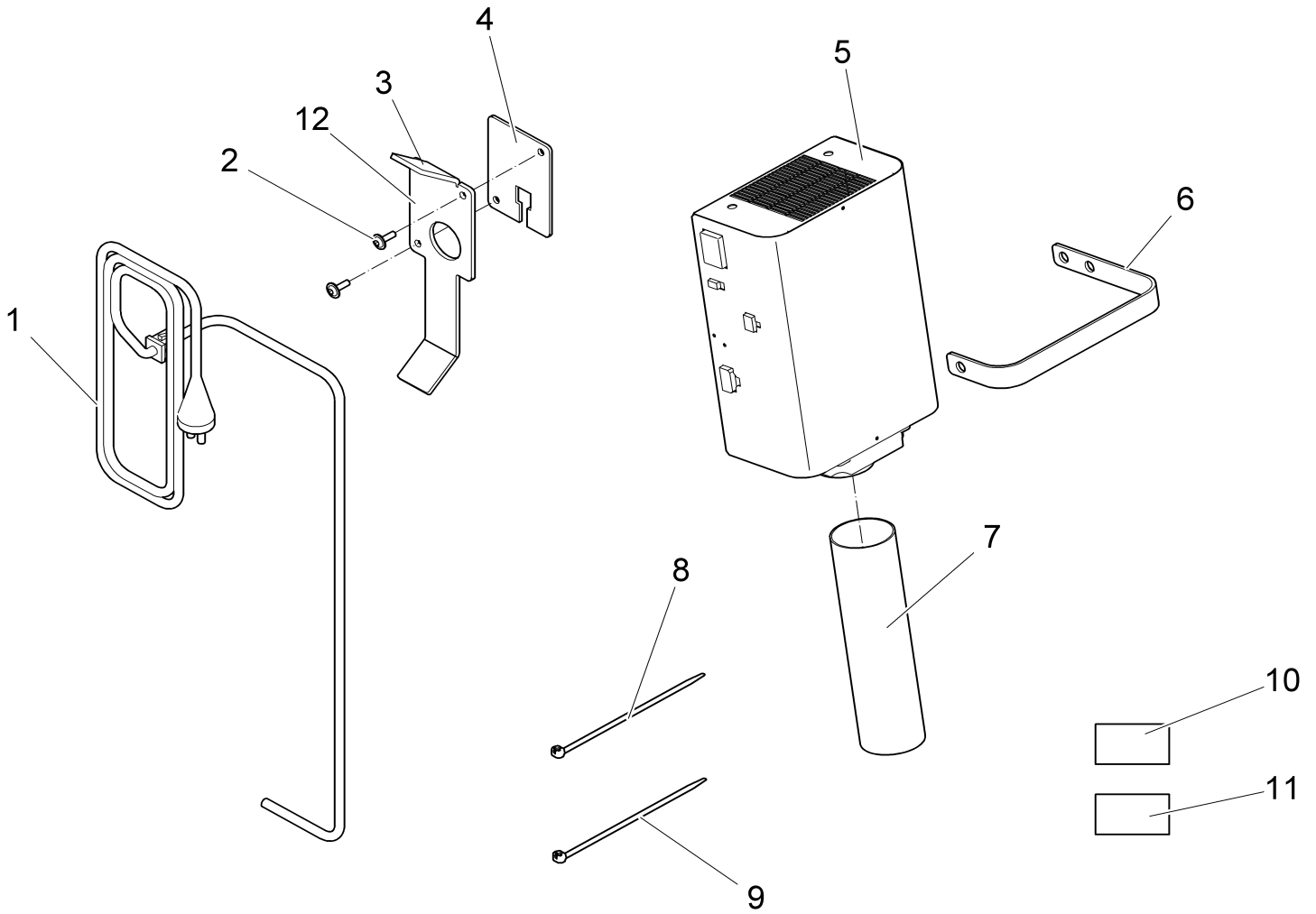
**Electrical Assembly II**



**Bill of Material - 97098990-2 (99706111BT14)**

| Item | Spare part number | Mat. No. | Qty. | Description           |
|------|-------------------|----------|------|-----------------------|
| 1    | 01078600          | 90518119 | 1    | Covering              |
| 2    | 01072520          | 11177179 | 7    | Lens flange screw     |
| 3    | 01078610          | 90511346 | 1    | Sheet metal           |
| 4    | 01078280          | 90465774 | 1    | Bag                   |
| 5    | 00555520          | 12332052 | 3    | Washer                |
| 6    | 01078290          | 13165196 | 3    | Blind rivet           |
| 7    | 03006850          | 97094247 | 1    | Wiring harness W1     |
| 8    | 03007770          | 97094254 | 1    | Wiring harness        |
| 9    | 03007800          | 97099089 | 1    | Wiring harness        |
| 10   | 03007790          | 97099063 | 1    | Wiring harness        |
| 11   | 03006880          | 97095624 | 1    | Wiring harness W11    |
| 12   | 03006890          | 97094387 | 1    | Set of cables         |
| 13   | 03006900          | 97095657 | 1    | Set of cables battery |
| 14   | 01078620          | 90512146 | 1    | Sheet metal           |
| 15   | 00053730          | 12310033 | 2    | Washer                |
| 16   | 00051520          | 12040044 | 2    | Hexagon nut           |
| 17   | 00535110          | 11038817 | 2    | Hex.bolt              |
| 18   | 00121150          | 90114810 | 12   | Cable tie             |
| 19   | 00967760          | 90156688 | 18   | Cable tie             |
| 20   | 01078630          | 90511320 | 1    | Sheet metal           |
| 21   | 03007780          | 97099048 | 1    | Cable loom            |

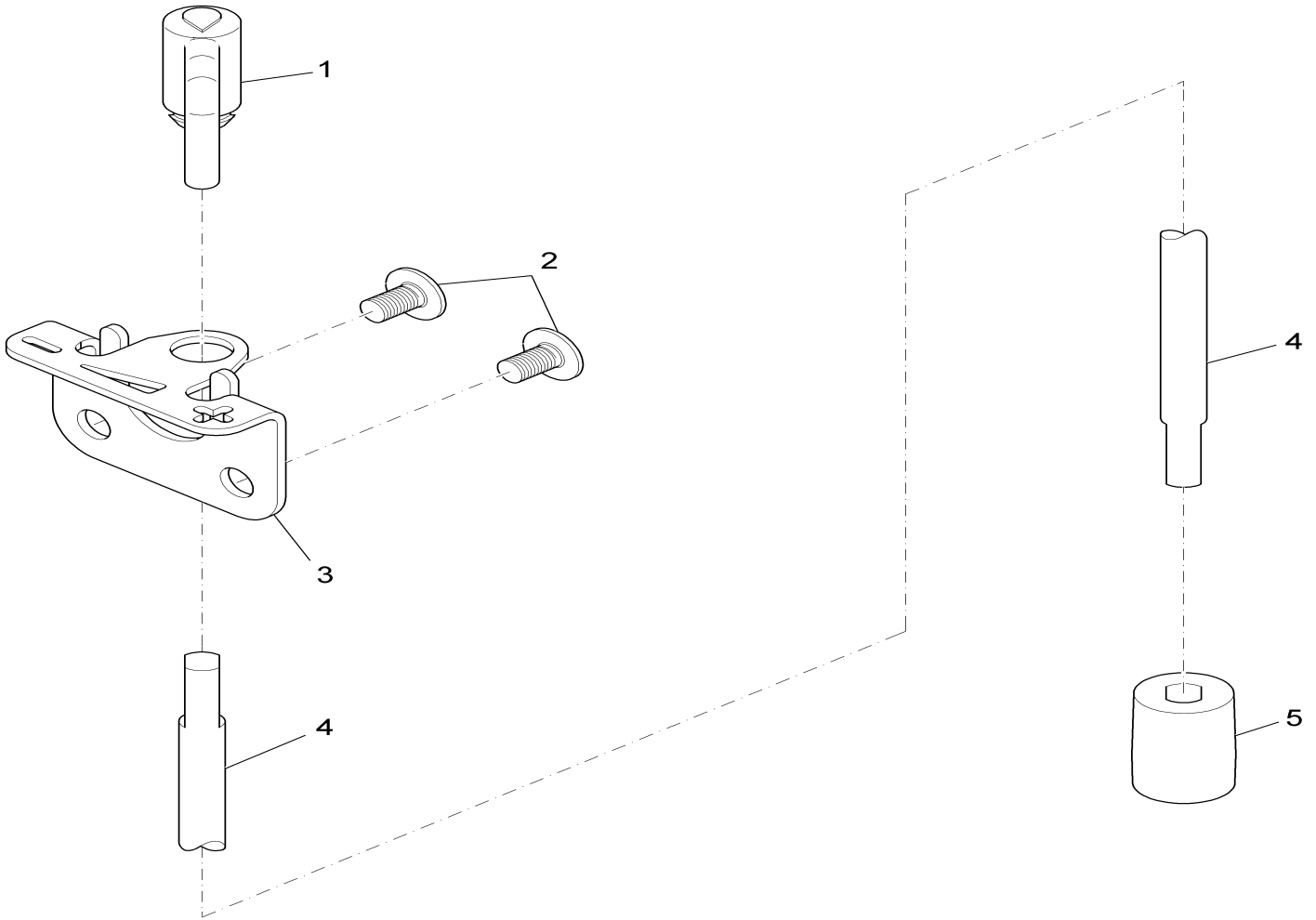
**Battery Charger Assembly**



**Bill of Material - 97099436 (99706111BT160)**

| Item | Spare part number | Mat. No. | Qty. | Description       |
|------|-------------------|----------|------|-------------------|
| 1    | 01079380          | 90532987 | 1    | Power cable       |
| 2    | 01017640          | 11177060 | 2    | Lens flange screw |
| 3    | 01074240          | 90463746 | 2    | Cap               |
| 4    | 01079360          | 90533266 | 1    | Covering          |
| 5    | 01079370          | 96117197 | 1    | On-board charger  |
| 6    | 01077870          | 90517665 | 1    | Tension band      |
| 7    | 01078320          | 90512575 | 3    | Hose              |
| 8    | 00121150          | 90114810 | 8    | Cable tie         |
| 9    | 00967760          | 90156688 | 1    | Cable tie         |
| 10   | 03006770          | 97094304 | 1    | Wire harness W6   |
| 11   | 03006840          | 97094346 | 1    | Wiring harness W8 |
| 12   | 01079390          | 90533258 | 1    | Cable retainer    |

**Solution Control Assembly**

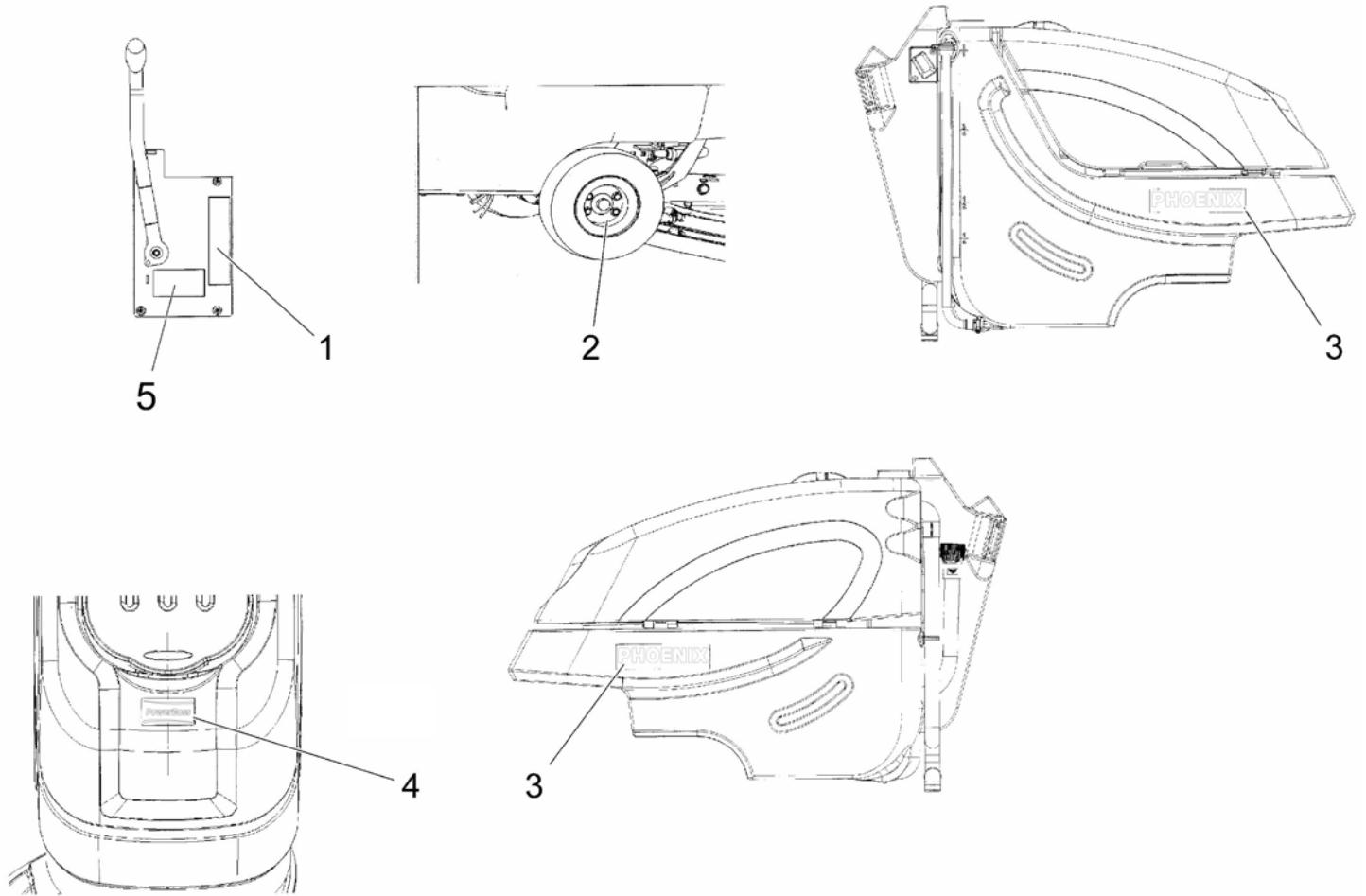


**Bill of Material - 97092597 (99706111BT180)**

| Item | Spare part number | Mat. No. | Qty. | Description       |
|------|-------------------|----------|------|-------------------|
| 1    | 01078370          | 90502436 | 1    | Lever             |
| 2    | 01072520          | 11177179 | 2    | Lens flange screw |
| 3    | 01078380          | 90502444 | 1    | Sheet metal       |
| 4    | 01078390          | 90502618 | 1    | Shaft             |
| 5    | 01078400          | 90502428 | 1    | Connecting piece  |



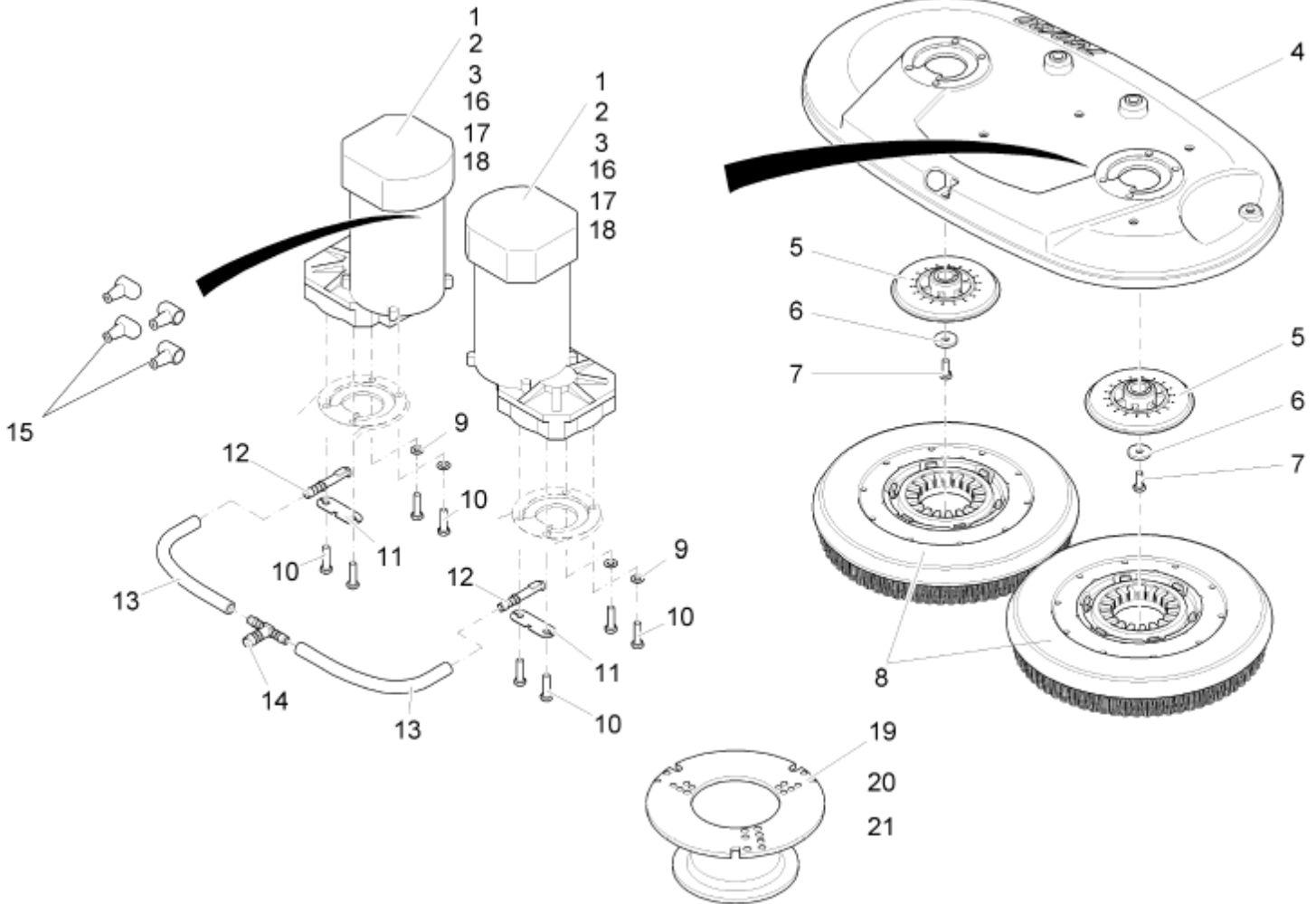
**Machine Labels**



**Bill of Material - 99706111BT190**

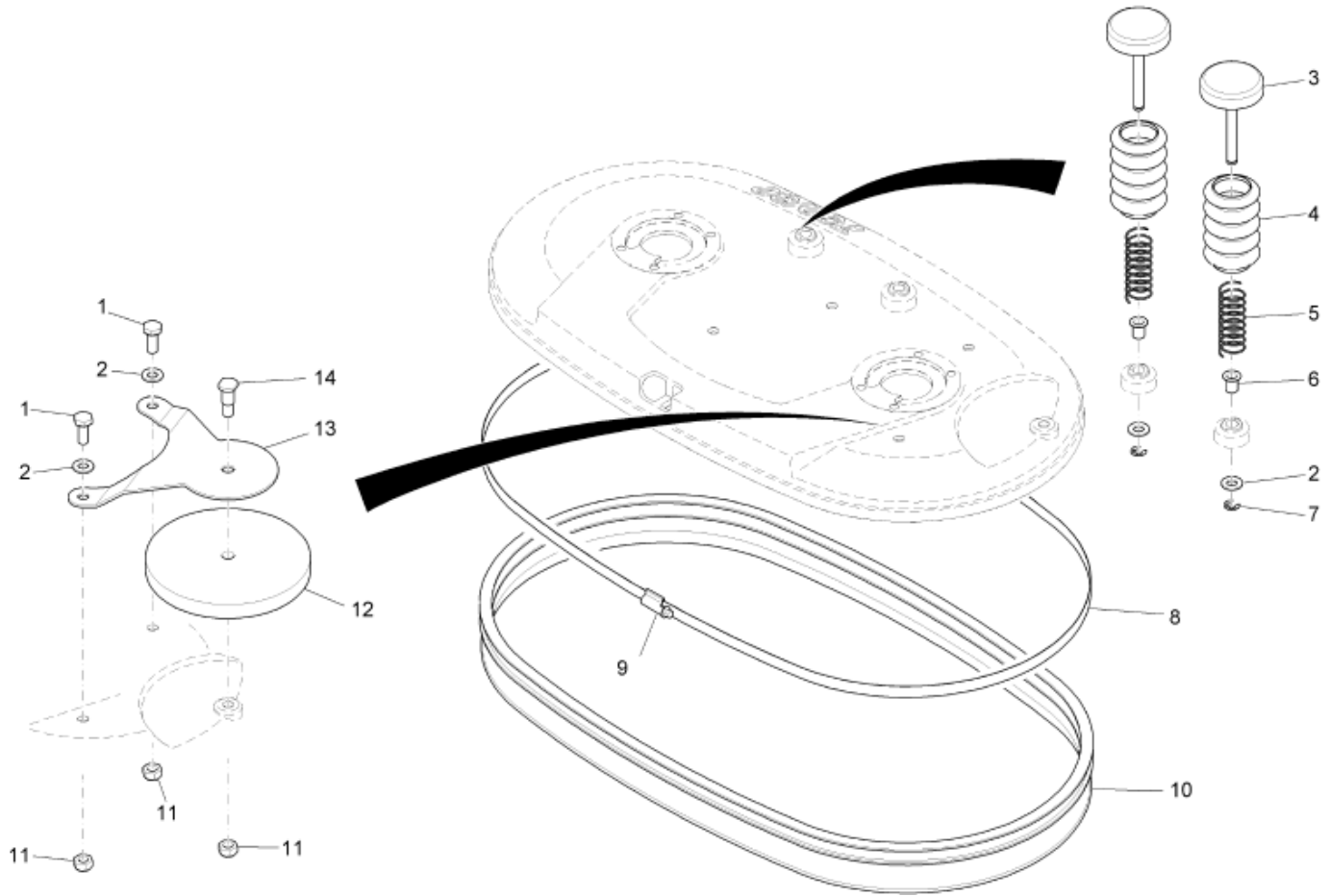
| Item | Spare part number | Mat. No. | Qty. | Description              |
|------|-------------------|----------|------|--------------------------|
| 1    | 01077440          | 17267212 | 1    | Decal DETAILS            |
| 2    | 01077450          | 17267220 | 1    | Decal 4,5bar             |
| 3    | 715688            | 715688   | 1    | Decal PHOENIX            |
| 4    | 3334902           | 3334902  | 1    | Decal POWERBOSS          |
| 5    | 715029            | 715029   | 1    | Type plate POWERBOSS USA |

**Disc Scrub Deck Assembly I**



**Bill of Material - 9970621BT170 (303200)**

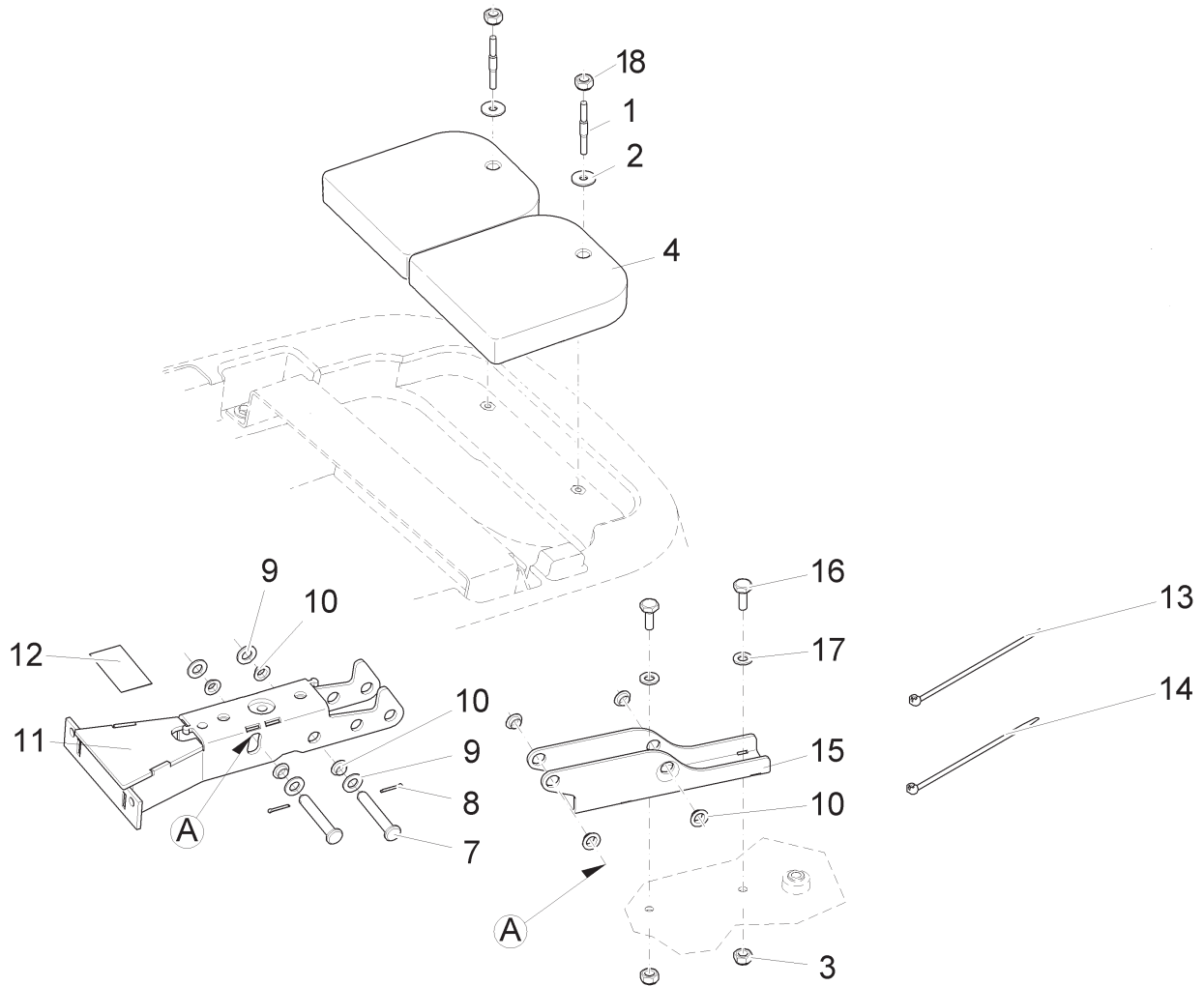
| Item | Spare part number | Mat. No. | Qty.  | Description             |
|------|-------------------|----------|-------|-------------------------|
| 1    | 01077180          | 90507476 | 2     | Motor                   |
| 2    | 01077230          | 01077230 | 2     | Fitting key             |
| 3    | 01077240          | 01077240 | 1     | Set (4pc.) Carbon brush |
| 4    | 03008030          | 90500588 | 1     | Housing                 |
| 5    | 00512400          | 90324369 | 2     | Carrier                 |
| 6    | 00879170          | 90209537 | 2     | Washer                  |
| 7    | 00053090          | 11038213 | 2     | Hexagon screw           |
| 8    | 99759600          | 99759600 | 2     | Drive plate USA 380     |
| 9    | 00101550          | 12310264 | 4     | Washer                  |
| 10   | 00053110          | 11038254 | 8     | Hexagon screw           |
| 11   | 01077750          | 90500216 | 2     | Sheet metal             |
| 12   | 01078330          | 90500265 | 2     | Spray tube              |
| 13   | 00180190          | 25842014 | 540mm | Hose                    |
| 14   | 00901310          | 90275157 | 1     | T-reducer muff          |
| 15   | 01078070          | 90524174 | 4     | Protection cap          |
| 16   | 01077250          | 01077250 | 1     | Spring                  |
| 17   | 01077210          | 01077210 | 1     | Gear                    |
| 18   | 01077220          | 01077220 | 1     | Circlip                 |
| 19   | 00681500          | 90364365 | 1     | Center-lock, lower part |
| 20   | 00961490          | 11709011 | 6     | Self tapping screw      |
| 21   | 00681490          | 90364373 | 1     | Center-lock, upper part |



**Bill of Material - 99706215BT180**

| Item | Spare part number | Mat. No. | Qty.    | Description        |
|------|-------------------|----------|---------|--------------------|
| 1    | 00053310          | 11038346 | 2       | Hexagon screw      |
| 2    | 00053760          | 12310058 | 2       | Washer             |
| 3    | 01078000          | 96112388 | 2       | Ejector            |
| 4    | 01078350          | 90500232 | 2       | Bellow             |
| 5    | 01078340          | 90500208 | 2       | Compression spring |
| 6    | 01078360          | 14895437 | 2       | Slide bearing bush |
| 7    | 00046280          | 12640033 | 2       | Thrust washer      |
| 8    | 00712300          | 17528548 | 2180 mm | Tension band       |
| 9    | 00901390          | 17528555 | 1       | Tension band lock  |
| 10   | 01079960          | 90539792 | 1       | Sealing strip      |
| 11   | 00051500          | 12040069 | 3       | Hexagon nut        |
| 12   | 01170190          | 90501107 | 1       | Deflector roller   |
| 13   | 01170180          | 90500638 | 1       | Retainer           |
| 14   | 01077570          | 90507831 | 1       | Screw              |

**Disc Scrub Deck Assembly III**



**Bill of Material - 99706215BT190**

| Item | Spare part number | Mat. No. | Qty. | Description        |
|------|-------------------|----------|------|--------------------|
| 1    | 90539255          | 90539255 | 2    | Threaded Rod M8    |
| 2    | 00042900          | 12332029 | 2    | Washer             |
| 3    | 00051500          | 12040069 | 2    | Hexagon nut        |
| 4    | 96118674          | 96118674 | 8    | Weight             |
| 7    | 01078040          | 13328851 | 2    | Bolt               |
| 8    | 00553580          | 13280136 | 2    | Cotter pin         |
| 9    | 00053770          | 12310066 | 4    | Washer             |
| 10   | 01077510          | 14895478 | 8    | Slide bearing bush |
| 11   | 01170570          | 96115555 | 1    | Rocker             |
| 12   | 01073530          | 17220013 | 1    | Transparency       |
| 13   | 00121150          | 90114810 | 3    | Cable tie          |
| 14   | 00967760          | 90156688 | 2    | Cable tie          |
| 15   | 01170200          | 90501123 | 1    | Retainer           |
| 16   | 00053310          | 11038346 | 2    | Hexagon screw      |
| 17   | 00053760          | 12310058 | 2    | Washer             |
| 18   | 12040051          | 12040051 | 2    | Nut - Nyloc M8     |

**Revision J**  
**Effective January 2014**  
**PowerBoss Made Simple Industrial Limited Warranty**

Minuteman International owner of PowerBoss warrants to the original purchaser/user that the product is free from defects in workmanship and materials under normal use. PowerBoss will, at its option, repair or replace without charge, parts that fail under normal use and service when operated and maintained in accordance with the applicable operation and instruction manuals. All warranty claims must be submitted through and approved by factory authorized repair stations.

This warranty does not apply to normal wear, or to items whose life is dependent on their use and care. Parts not manufactured by PowerBoss are covered by and subject to the warranties and/or guarantees of their manufacturers. Please contact Minuteman International for procedures in warranty claims against these manufacturers.

**Special warning to purchaser** -- Use of replacement parts not manufactured by PowerBoss or its designated licensees, will void all warranties expressed or implied. A potential health hazard exists without original equipment replacement.

All warranted items become the sole property of Minuteman International or PowerBoss or its original manufacturer, whichever the case may be.

PowerBoss disclaims any implied warranty, including the warranty of merchantability and the warranty of fitness for a particular purpose. PowerBoss assumes no responsibility for any special, incidental or consequential damages.

This limited warranty is applicable only in the U.S.A. and Canada, and is extended only to the original user/purchaser of this product. Customers outside the U.S.A. and Canada should contact their local distributor for export warranty policies. PowerBoss is not responsible for costs or repairs performed by persons other than those specifically authorized by PowerBoss. This warranty does not apply to damage from transportation, alterations by unauthorized persons, misuse or abuse of the equipment, use of non-compatible chemicals, or damage to property, or loss of income due to malfunctions of the product. If a difficulty develops with this machine, you should contact the dealer from whom it was purchased.

This warranty gives you specific legal rights, and you may have other rights, which vary from state to state. Some states do not allow the exclusion or limitation of special, incidental or consequential damages, or limitations on how long an implied warranty lasts, so the above exclusions and limitations may not apply to you.

|  | Travel * | Labor     | Parts                  | Engine                    | Extended Warranty   | Costs |
|--|----------|-----------|------------------------|---------------------------|---|-------|
| <b>Walk Behind</b>                         |          |           |                        |                           |   | ****  |
| Battery Sweepers                           | 90 Days  | 12 months | 12 months              | N/A                       | N/A   | -     |
| IC Sweepers                                | 90 Days  | 12 months | 12 months              | Through Eng. Mfg.         | N/A   | -     |
| Battery Scrubbers                          | 90 Days  | 24 months | 36 months              | N/A                       | N/A   | -     |
| <b>Riders</b>                              |          |           |                        |                           |   |       |
| Battery Scrubbers                          | 90 Days  | 24 months | 36 months or 2000 hr.  | N/A                       | 36 months parts + 24 labor (or 3000 Hours)  | 5%    |
| IC Sweeper/Scrubbers 82 & 90               | 90 Days  | 6 months  | 24 months or 2000 hr.  | 24 months or 3000 hrs**   | 36 months parts + 24 months labor (or 3000 Hours) + 180 days travel                       | 5%    |
| I.C. Sweepers 9X, 10X                      | 90 days  | 6 months  | 48 months or 3000 hrs. | 60 months or 3000 hrs**   | 48 months parts + 24 months labor (or 3000 Hours) + 180 days travel                       | 5%    |
| NAUTILUS Scrubber                          | 180 Days | 24 months | 36 months or 2000 hr.  | 36 months or 2000 hrs**   | 48 months parts + 24 months labor (or 3000 Hours) + 180 days travel                       | 3%    |
| All Rider, I.C.<br>(excluding APEX series) |          |           |                        |                           | <b>Bumper to Bumper</b><br>5000 hr max. 48 months parts, 48 months labor, 180 days travel | 8%    |
| <b>Exceptions</b>                          |          |           |                        |                           |   |       |
| Apex Series Sweeper                        | 90 Days  | 12 months | 12 months or 1000 hr.  | 12 months or 1000 hrs**   | 24 months parts + 24 months labor (or 2000 Hours)   | 5%    |
| 6X Sweeper                                 | 90 Days  | 6 months  | 24 months or 2000 hr.  | 24 months or 2000 hours** | 36 months parts + 24 months labor (or 3000 Hours) + 180 day travel                        | 5%    |

- Tank Bladders Eight years/ no additional labor
- Polyethylene plastic tanks Ten years/ no additional labor
- Batteries 0-3 months full replacement, 4-12 prorated credit
- Chargers One-year replacement
- Aftermarket Replacement parts Ninety days from date of purchase

\*Two-Hour Cap Per Service Call

\*\*Through Engine Manufacturer. See Section 3 of Warranty Manual for Engine Warranty Exceptions

\*\*\* Based Upon Dealer's Certification Status:

Extended Warranty MUST Be Signed Up Within 30 Days of Delivery to End User  
 (Dealer Has 1Year From Receiving Machine To Sign Up For Extended Warranty)

\*\*\*All above labor and travel reimbursed at 65% or 75% of the published shop rate.

## ***“The Power of Clean”***

**PowerBoss® is a Full Line Manufacturer of Sweepers and Scrubbers,  
for Industrial Facilities.**